



Thick Turret Style Tooling

ULTRA[®] AND THICK TURRET TOOLING

Lang & Társai Kft.

Nettó EUR árjegyzék, érvényes: 2024. március 18-tól

SEVEN DECADES OF EXCELLENCE

Founded in 1962, Mate is a world-class manufacturer of precision metalworking solutions for factory productivity.



Mate products and services are fully supported by our team of expert Fabrication Specialists and a vast, knowledgeable, global dealer network.

PERSONAL RELATIONSHIPS

Mate does business with people, not companies. Our connection to you is personal. Mate's team of manufacturing and metalworking professionals know your business. With Mate, you have a partner that respects your knowledge and is dedicated to helping you succeed.

YOUR GO-TO SOURCE

Serving our customers is at the core of who we are. In your plant or on the phone, we're up for whatever metalworking challenges you face. Your Mate representatives are experts who know from experience what happens on the shop floor and provide our legendary in-field support. They speak your language, fully capable of helping you improve processes and solve problems. Mate customer service is ready to assist with fast quotes, guiding your order on to our top-notch machinists and shipping pros.

GET INSPIRED!

With our vast knowledge and broad product range, we inspire innovative thinking. Our customer's projects can be seen around the world: from unique buildings, façades thought to be impossible to make, to a new way to add strength to thin material. The possibilities are endless, so think big, bold, and beyond.

WE'VE GOT YOU COVERED

Dedicated to quality in every aspect of our business, Mate offers an extensive standard product line that can be delivered with same-day or next-day service. All Mate products are backed with our industry-leading 100% customer satisfaction guarantee.

Thick Turret Tooling Systems Overview 4-7

A & B Station Tooling Systems 8-29

Ultra™ Style 8-21

Ultra™ Canister Options	8
Ultra Punch Options	9-10
Ultra Guide Options	11
Stripper & Die Options	11
Slug Free™ & Slug Free™ Light Dies	12
Ultra A & B Overview	13

Selection Guide: Ultra A & B

Ultra™ A Station System	14-15
Ultra™ B Station System	16-17
Metric Ultra™ A Station System	18-19
Metric Ultra™ B Station System	20-21

RapidSet™ & Original Style 22-27

RapidSet™ & Original Style A & B Overview	22-23
---	-------

Selection Guide: RapidSet™ & Original Style A & B

RapidSet™ & Original Style A Station System	24-25
RapidSet™ & Original Style B Station System	26-27

C, D, E, F Station Tooling Systems 28-49

Overview 28-31

Assembly Options	29
Punch Options	30
Stripper & Die Options	31

C-Station 32-35

Selection Guide: Ultra C

Ultra™ C Station System	32-33
Ultra XT™ C Station System	32-33
Ultra™ Fully Guided C Station System	32-33

Selection Guide: Original Style

Original Style C Station System	34-35
---------------------------------	-------

Clamp Clearing Slitting & Parting Solutions 36-37

D-Station 38-41

Selection Guide: Ultra D

Ultra™ D Station System	38-39
Ultra XT™ D Station System	38-39
Ultra™ Fully Guided D Station System	38-39

Selection Guide: Original Style

Original Style D Station System	40-41
---------------------------------	-------

[Dimensions in Inches (mm)]



E-Station 42-45**Selection Guide: Ultra E**

Ultra™ E Station System	42-43
Ultra XT™ E Station System	42-43
Ultra™ Fully Guided E Station System	42-43

Selection Guide: Original Style

Original Style E Station System	44-45
---------------------------------	-------

F-Station 46-49**Selection Guide: Ultra F**

Ultra XT™ F Station System	46-47
----------------------------	-------

Selection Guide: Original Style

Original Style F Station System	48-49
---------------------------------	-------

D Station Multi Tool Tooling Systems 50-53

Features and Benefits	50
Ultra™ — 3 & 8-Station	51
Ultra™ IMT™ Fully Indexable with Shot Pin — 3 & 8-Station	52
Ultra™ IMT™ Fully Indexable for Rotating Ram — 3 & 8-Station	53

B, C, D, E Station Forming Tooling Systems 54-57

Features and Benefits	54
UltraForm™	55
UltraForm XT™	56
UltraForm FX™	57
Original Style B-Station	58

Other Tooling Systems 59-67**AMX™ (OEM ABS Compatible) Style 59-60**

Features and Benefits	59
AMX™ A, B, C, D, E Station Tooling Guide	60

MXC™ (HP Compatible) Style 61-66

MXC™ Features and Benefits	61
MXC™ A & B Station	62
MXC™ C, D	63
MXC™ E	64
MXC™ Add-ons	65
MXC™ Critical Dimensions	66

Inch Style 67**Accessories & Add Ons 68-75**

Eliminator Pads	68
Pilot™ Turret Calibration System	69
Thick Turret and Ultra™ Adapters & Accessories	70-71
Ultra™ Field Service Kits	72

Coatings and Tooling Steel 73-75

SuperMax™ and Maxima™ Coatings	73
Tooling Steel overview	74-75

Special Applications 76-80**Technical Data & Specifications 81-88**

Standard & Special Shapes	81
Standard Angle Settings	82
Critical Dimensions	83
Punch and Die Maintenance	84
Add-Ons	85
Thick Turret Tooling System Compatibility	86-87



Mate offers the most comprehensive range of thick turret tooling systems designed to accommodate any punching application. Use this simple chart to determine which system is right for your typical thick turret applications.

<p>LESS</p> <p>• • • • •</p> <p>←-----→</p> <p>MORE</p> <p>• • • • •</p>	QCT™	Ultra™	Ultra XT™	Original Style
Overall Value	• • • • •	• • • • •	• • •	• •
Cost Savings	• • • • •	• • • • •	• • •	•
Ease of Use – Features that make it faster to install, simpler to set up, and more convenient to maintain.	• • • • •	• • • • •	• •	•
Interchangeability – Compatible with systems from major suppliers.	• • • • •	• • • • •	• • •	• •
Quick Set-up – Integral features that maximize machine up time.	• • • • •	• • • • •	• • •	• •
Grind Life – Total number of holes punched between regrinds AND the total grindable length of the punch tip before it needs to be replaced.	• • • • •	• • • • •	• • •	• •
Slug Free Die – Advanced die geometry that prevents slug pulling.	• • • • •	• • • • •	• • • • •	• • • • •
Initial Purchase Price	• • • •	• • •	• •	•

QCT™ QUICK CHANGE TOOLING

Insert-style next-level punching systems. With its durable patent-pending design, tool-less punch retention mechanism and M4PM™ steel inserts, you'll be on your way to faster, more cost effective A and B station punching in no time.

- Simple to use — No tools required!
- Premium high speed tool steel punches
- Longer lasting, superior insert performance
- Robust construction
- Available in Ultra™, Metric, AMX™ and MXC™ styles
- Compatible with Ultra, XT, RapidSet and Original Style systems

QUICK CHANGE



[Dimensions in Inches (mm)]



PERFORMANCE

ULTRA™

Precision tooling system provides maximum flexibility and increases performance and flexibility. Ultra offers extended tool life and is interchangeable with existing systems.

- Quick length adjustment-no shims or tools required
- Premium high speed tool steel punches
- Internal and external tool lubrication grooves
- Hardened guides
- Precision internal keyways
- Quick change strippers – no tools required
- Relieved strippers for extended grind life
- Slug Free die design
- Available in A-E stations



CONVENIENCE

ULTRA XT™

Precision tooling system that increases tool performance and flexibility. Ultra XT offers extended tool life and allows interchangeability with existing systems. Features of the Mate Ultra XT™ system include:

- Quick length adjustment - no shims or tooling required
- Premium high speed tool steel punches
- Internal and external lubrication grooves
- External keyways
- A & B stations feature quick change strippers – no tools required
- A & B stations utilize relieved strippers for extended grind life
- Slug Free die design
- Available in A-E stations



ECONOMY

RAPIDSET™ & ORIGINAL STYLE

OEM compatible systems with premium high speed steel punches

RAPIDSET FEATURES:

- Self-contained, single clamping screw length adjustment, spring pack canister
- Longer grind life than Original Style

ORIGINAL STYLE FEATURES:

- Hexagon shaped punch heads in 1/2" A and 1-1/4" B stations for easier adjustment
- Reversible spring retainers in 1/2" A and 1-1/4" B stations for additional tool life
- Hardened guides for reduced friction and longer service life
- Slug Free dies design



[Dimensions in Inches (mm)]

ULTRA FULLY GUIDED

Accurate and close tolerances between guide and stripper hold punches rigid, control against hole distortion and saw toothing.

Premium high speed tool steel punches at 60-62 Rockwell C

Specially formulated high speed steel and specially developed heat treatment processes result in unusually high tool performance, superior dimensional accuracy and maximum tool life.

Stripper opening 0.0015(0.04) TC to point

Guiding at punch point supports punches, increases hole accuracy, improves stripping and prevents scrap from rising into the assembly.

Quick length adjustment

The external quick length adjustment button on the side of the guide allows the punch length to be adjusted without disassembly.

Hardened and ground guide

Reduces abrasive action of punching, diffuses heat effectively, resists galling, extends tool life, increases turret life and improves up time.

Interior and exterior spiral grease grooves

Even and consistent tool lubrication increases tool life.

Tool Lubrication

Interior vertical fluid grooves and fluid through holes provide even and efficient transfer of lubrication fluid to internal surfaces and to external guide surface area, increases lubrication and tool life.

Mate Slug Free die design

Clearing the slug every cycle eliminates slug pulling, extends tool life, improves piece part quality and reduces scrap.

Availability

Fully Guided is available in B - E stations



[Dimensions in Inches (mm)]

MATE ULTRAFORM™ FORMING SYSTEM

Mate's ULTRAFORM tooling system features adjustable length holders for 1-1/4" B, 2" C, 3-1/2" D and 4-1/2" E stations. Each ULTRAFORM holder can be used with a variety of special forming inserts. Mate ULTRAFORM holders include precise and convenient length adjustment mechanisms that allows fine adjustment of any forming tool to achieve high quality piece parts. Enjoy the benefits of reduced tooling cost, increased flexibility and ease of length adjustment for accurate forms with ULTRAFORM.



MATE ULTRAFORM XT™ FORMING SYSTEM

Mate's ULTRAFORM XT is for situations where you desire flexibility but adjust tool length infrequently. ULTRAFORM XT features adjustable length holders for 1-1/4" B, 2" C, 3-1/2" D and 4-1/2" E stations. Designed to use Mate's ULTRAFORM tooling, each ULTRAFORM XT holder can be used with a variety of special forming inserts. ULTRAFORM XT provides all of benefits of the ULTRAFORM tooling system, including reduced tooling cost, increased flexibility and ease of length adjustment for accurate forms.



MATE ULTRAFORM FX™ FORMING SYSTEM

Mate's ULTRAFORM FX tooling system features fixed length holders for 1-1/4" B, 2" C, 3-1/2" D and 4-1/2" E stations. Perfect for machines with precision stroke control. Designed to use Mate's ULTRAFORM tooling, each ULTRAFORM FX holder can be used with a variety of special forming inserts. The benefits of the ULTRAFORM tooling system include reduced tooling cost, increased flexibility and ease of length adjustment for accurate forms.



MATE ORIGINAL STYLE FORMING TOOLS

Mate's Original Style forming tools feature adjustable length holders for 1-1/4" B stations. Original Style forming tools are designed for specific applications and machines. Eight specific form types are available. Ideal for hydraulic punch presses with programmable penetration control.



THE ULTRA FAMILY OF CANISTERS

Mate offers a variety of Ultra canister assemblies for your specific punching needs. If you're punching thick materials, thin/decorative materials or anything in between, we've got you covered! The spring assemblies are self-contained in the canisters. No tools are required to adjust the length.



ULTRA

- Quick length adjustment with guide attached
- No disassembly required
- Uniform spring pressure for reliable stripping
- Tool-less length adjustment: 0.006(0.15mm) for A Stations and 0.008(0.20mm) for B Stations
- Available in Ultra and Metric (Original) Style versions



ULTRA HEAVY DUTY

- Recommended for punching material 0.157(4.0mm) or greater thickness
- Quick length adjustment with guide attached
- No disassembly required
- Uniform spring pressure for reliable stripping
- Tool-less length adjustment: 0.006(0.15mm) for A Stations and 0.008(0.20mm) for B Stations
- Available in Ultra and Metric (Original) Style versions



ULTRA QUICKHIT

- For high-speed punching or nibbing applications
- Quick length adjustment with guide attached
- No disassembly required
- Uniform spring pressure for reliable stripping
- Tool-less length adjustment: 0.006(0.15mm) for A Stations and 0.008(0.20mm) for B Stations
- Available in Ultra and Metric (Original) Style versions



ULTRA LIGHT

- Recommended for punching thin or decorative material
- Reduces sheetmarking for improved part quality and machine uptime
- Reduced noise levels for a better working environment
- Quick length adjustment with guide attached
- No disassembly required
- Uniform spring pressure for reliable stripping
- Tool-less length adjustment: 0.006(0.15mm) for A Stations and 0.008(0.20mm) for B Stations
- Available in Ultra and Metric (Original) Style versions

[Dimensions in Inches (mm)]

QUICK CHANGE TOOLING

Mate Precision Technologies's QCT thick turret tooling takes insert-style punching systems to a whole new level! With its durable patent-pending design, tool-less punch retention mechanism and M4PM™ steel inserts, you'll be on your way to faster, more cost effective punching in no time.

EASY SET-UP & MAINTENANCE. NO TOOLS REQUIRED!

QCT is designed to minimize effort and maximize uptime. There are no tools to use, break or lose to change the punch insert. Simply flip the durable latch to remove and snap the new insert into place. It's really that easy! Maintenance is a breeze, too. Use compressed air to clean away debris without damage.

LONGER LASTING, SUPERIOR INSERT PERFORMANCE

QCT punch inserts are made from Mate's proprietary M4PM™ steel, the longest lasting tool steel in the industry. At .770(19,56), the SBR is longer than our standard length punches, for more grind life. The punch is keyed at the perimeter providing better angularity control. Since the punch insert OD interfaces with the guide ID, punch guiding is superior, too.

ROBUST CONSTRUCTION

The punch driver is made from high speed steel and comes standard with Mate's proprietary next generation SuperMax™ coating for extended life*. To ensure durability, Mate's complete line of QCT Quick Change Tooling has undergone extensive product testing in customer locations.

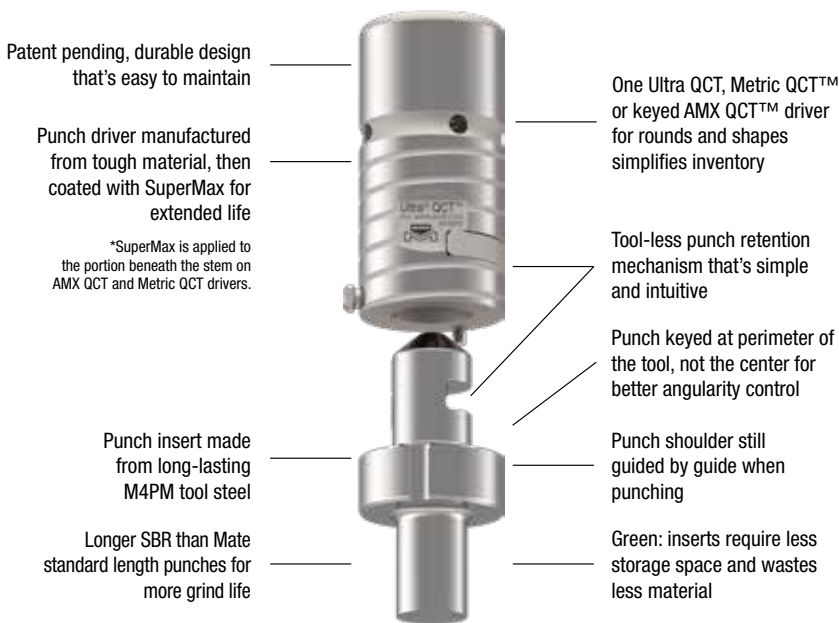
FULLY COMPATIBLE

There's no need to purchase a special or captive system. Mate's QCT works with all existing Ultra, Ultra XT and Ultra Fully Guided guides and canisters. Metric QCT is fully compatible with Mate Original Style and other long stem systems. AMX QCT™ is fully compatible with AMADA Air Blow Systems (ABS) assemblies and holders. MXC QCT™ is fully compatible with Wilson Series 90™ and HP™ tooling systems.

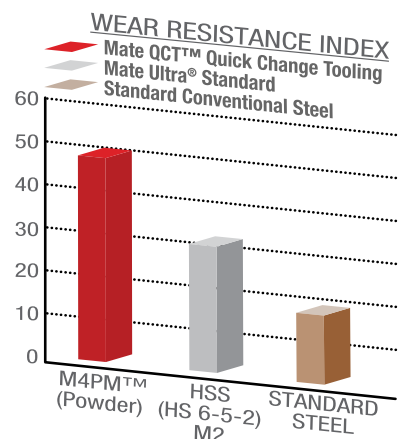
SIMPLE

Mate's QCT Quick Change Tooling simplifies your tooling storage needs. Only one punch driver is required for rounds or shapes with Ultra™ QCT, Metric QCT and AMX QCT drivers. Punch inserts take up less space than standard punches and waste less material.

OVERVIEW



ULTRA QCT SHOWN ABOVE



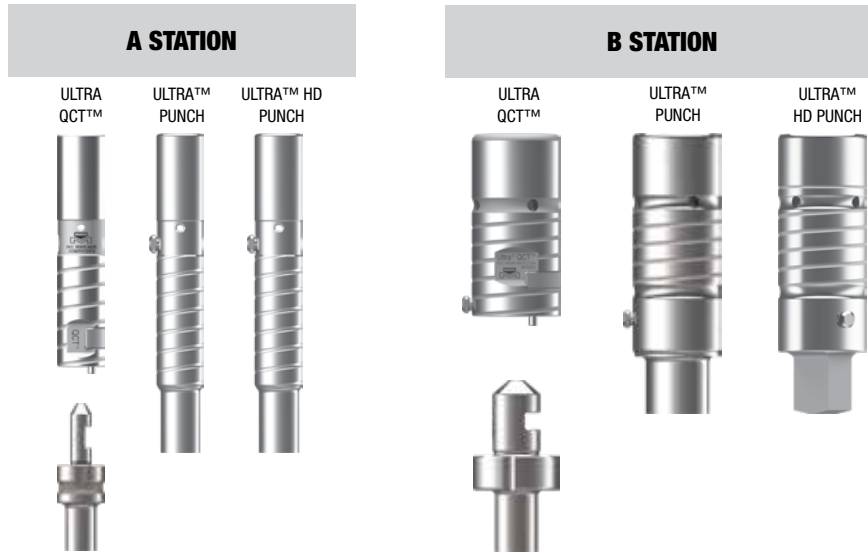
[Dimensions in Inches (mm)]



A & B STATION PUNCHES OVERVIEW

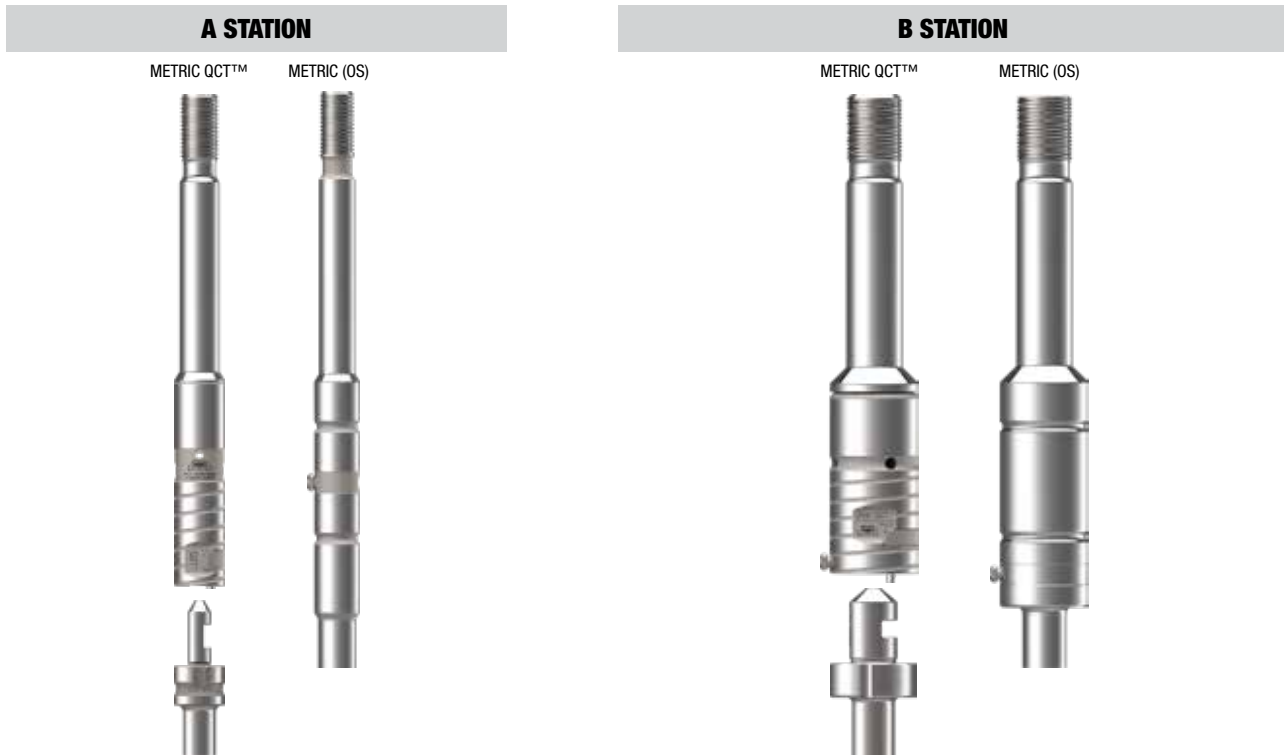
ULTRA PUNCHES

Mate Ultra punches are fully OEM compatible and designed to dramatically improve any punching operation. Made from premium high speed tool steel for extended grind life and maximum productivity, Ultra punches feature a 1/4 degree back taper and near polished flanks to reduce friction, eliminate galling and extend punch life. Ultra punches include external lubrication grooves to aid fluid flow. Available in Ultra QCT, Ultra and Ultra Heavy Duty styles. M4PM steel is available in Ultra A and B station punches for superior performance and longevity.



METRIC/ORIGINAL STYLE PUNCHES

Mate Metric/Original Style punches are fully OEM compatible with several design enhancements. Made from premium high speed tool steel for extended grind life and maximum productivity, Metric/Original Style punches feature a 1/4 degree back taper and near polished flanks to reduce friction, eliminate galling and extend punch life. Available in QCT, Metric and Heavy Duty styles.



STANDARD SHAPES (NUMBERING INDICATES SHAPE CODE):



[Dimensions in Inches (mm)]



ULTRA, ULTRA XT & ULTRA FULLY GUIDED GUIDES

Mate Ultra guides are hardened and ground to reduce wear and feature internal and external lubrication grooves to ensure uniform distribution of oil. The snap in, self-locking stripper retention system makes installation and removal a breeze. Ultra XT guides offer many of the same features as Ultra with fewer keyways for a more cost-effective solution. Both styles are available in Round Only and Shaped versions.

A STATION



All Mate guides have precision ground keyways for superior accuracy, better piece part quality, and longer tool life.

ULTRA PUNCH GUIDE	ULTRA PUNCH GUIDE (ROUND ONLY)	ULTRA XT PUNCH GUIDE (0°, 90° SETTING)	ULTRA XT PUNCH GUIDE (0°, 45° SETTING)
3 internal slots: 90°, 180° and 315° 1 external slot at 0°	1 internal slot: 0° 1 external slot: 0°	1 internal slot: 0° 2 external slots: 0° and 90°	1 internal slot: 0° 2 external slots: 0° and 45°

B STATION

ULTRA PUNCH GUIDE	ULTRA PUNCH GUIDE (ROUND ONLY)	ULTRA XT PUNCH GUIDE (0°, 90° SETTING)	ULTRA XT PUNCH GUIDE (0°, 45° SETTING)	ULTRA PUNCH GUIDE (FULLY GUIDED)
5 internal slots: 0°, 90°, 180°, 225° and 270° 1 external slot: 0°	1 internal slot: 0° 1 external slot: 0°	1 internal slot: 0° 2 external slots: 0° and 90°	1 internal slot: 0° 2 external slots: 0° and 45°	5 internal slots: 0°, 90°, 180°, 225° and 270° 1 external slot: 0°

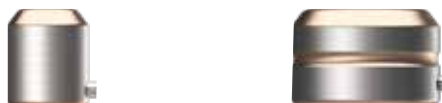
STRIPPERS

Mate Ultra strippers are relieved to allow 0.118(3.00mm) grind life and feature rounded edges to minimize sheet marking.

A STATION	B STATION	B STATION FULLY GUIDED

SLUG FREE™ DIES

Mate Slug Free dies eliminate slug pulling. The Slug Free is designed with an opening that has a constriction point below the surface so the slug cannot return once it passes this point. Once the slug is separated from the sheet, it is free to fall away from the punching area, eliminating slug pulling.

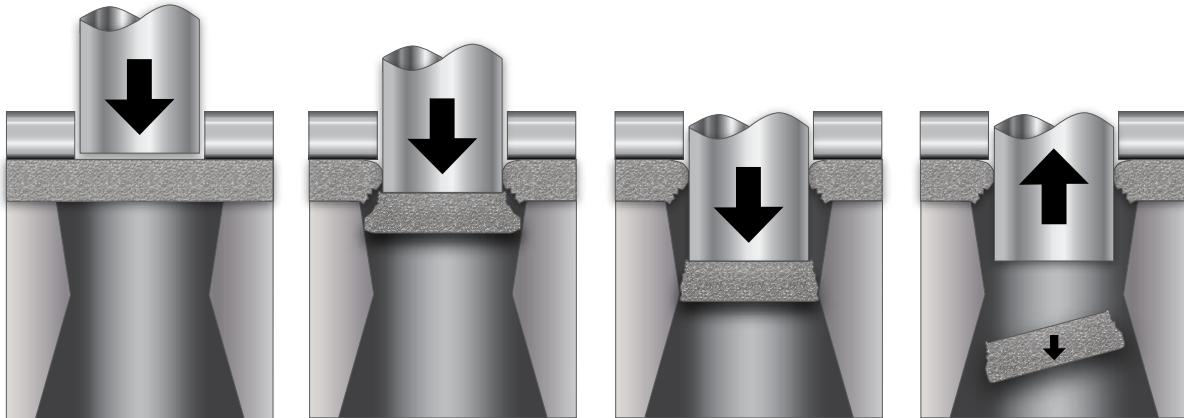


[Dimensions in Inches (mm)]

SLUG FREE™ DIES

Mate Slug Free dies eliminate slug pulling. Slug pulling is a condition where the slug returns to the top of the sheet during the stripping portion of the punching cycle. The slug comes between the punch and the top of the sheet on the next cycle. This causes damage to the piece part and the tooling. Slug Free dies eliminate this problem.

The Slug Free die has been designed with an opening that has a constriction point below the surface so the slug cannot return once it passes this point. Once the slug is separated from the punch, it is free to fall away from the punching area. Slug pulling is eliminated.



Material held securely by stripper before punch makes contact.

Punch penetrates the material. Slug fractures away from sheet.

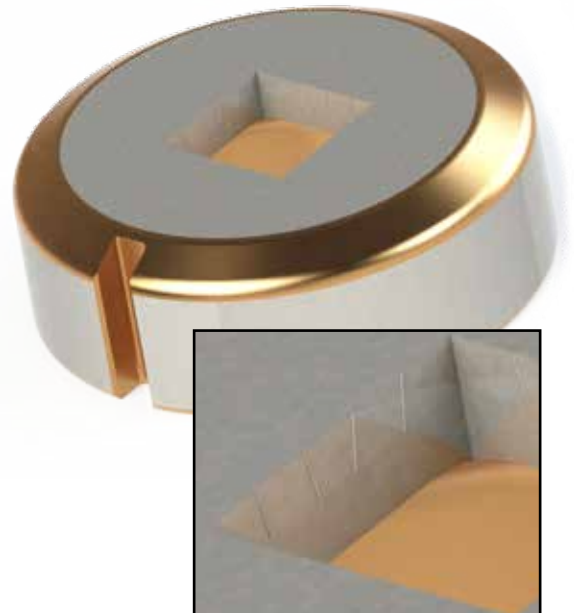
Pressure point constricts slug. Punch stroke bottoms out as slug squeezes past pressure point.

Punch retracts and slug is free to fall down and away through exit taper of the Slug Free die.

SLUG FREE LIGHT™ DIES FOR THIN SHEET METAL

Mate Slug Free Light™ thick turret dies are designed to eliminate slug pulling when punching thin sheet metal material, where the recommended die clearance is less than 0.008(0.20).

The Mate Slug Free Light™ die works by introducing a series of small protrusions around the edge of the slug. Each protrusion is created by a small angled notch cut into the die opening. As the slug passes through the die, the position of the protrusion relative to the notch changes slightly. This change creates slight pressure between the slug and the die land, which traps the slug into the die and eliminates the possibility of the slug being pulled back through the die. By eliminating slug pulling with every punch cycle, the piece part quality is improved and tool life is increased.



Material Type	Maximum Suggested Material Thickness Inches(millimeters)
Stainless Steel	0.032(0.80)
Mild Steel	0.040(1.00)
Aluminum	0.048(1.20)

[Dimensions in Inches (mm)]

ULTRA™ PRECISION TOOLING SYSTEMS

DESIGNED TO DRAMATICALLY IMPROVE ANY PUNCHING OPERATION

Mate's Ultra™ is a precision thick turret tooling system offering exceptional tool performance and flexibility, fast tool-less adjustment, extended tool life and interchangeability with Mate and alternative systems.

CANISTER ASSEMBLIES:

- Quick length adjustment with guide attached. No disassembly required
- Uniform spring pressure for reliable stripping
- Available in multiple styles:
 - Ultra™
 - Metric (Original) style
 - Heavy Duty
 - Quickhit
 - Ultra Light

PUNCHES:

- Extended grind life
- Premium high speed tool steel for extended tool life
- 1/4 degree back taper and near polished flanks to reduce friction
- External lubrication grooves to allow fluid flow
- Available in multiple styles:
 - QCT™
 - Ultra™
 - Metric (Original) style
 - AMX™ style

UNIVERSAL GUIDES:

- Multiple angle settings
- Quick-change strippers - no tools required
- Tool remains assembled during tool length adjustment
- Internal and external lubrication grooves to reduce friction
- Hardened to reduce wear

STRIPPERS:

- 0.118(3.00) extra grind life from 3mm relief
- Quick-change mechanism
- Rounded edges to minimize sheet marking

SLUG FREE™ DIES:

- Eliminates slug pulling
- Highly wear resistant
- Uniform clearance radii in die corners improves cut quality
- Exceptional die strength
- Up to 0.125(3.20) grind life
- A and B stations also available in optional MPM82 steel

OPTIONS

- M4PM™ steel available in punches for superior performance and longevity
- Punches may be ordered with SuperMax™ and Maxima™ coatings for increased punch life



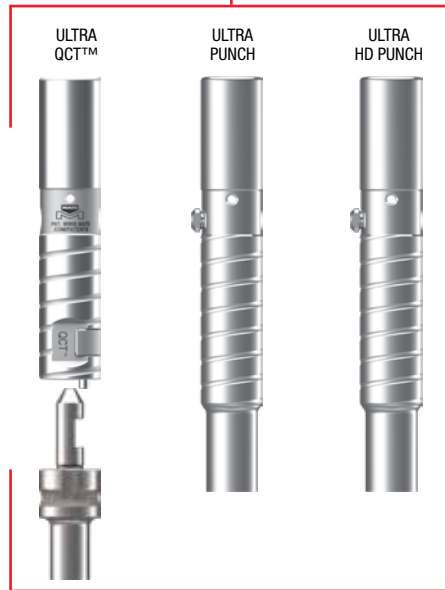
[Dimensions in Inches (mm)]

ULTRA A-STATION COMPATIBILITY GUIDE

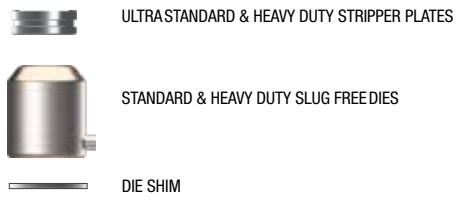
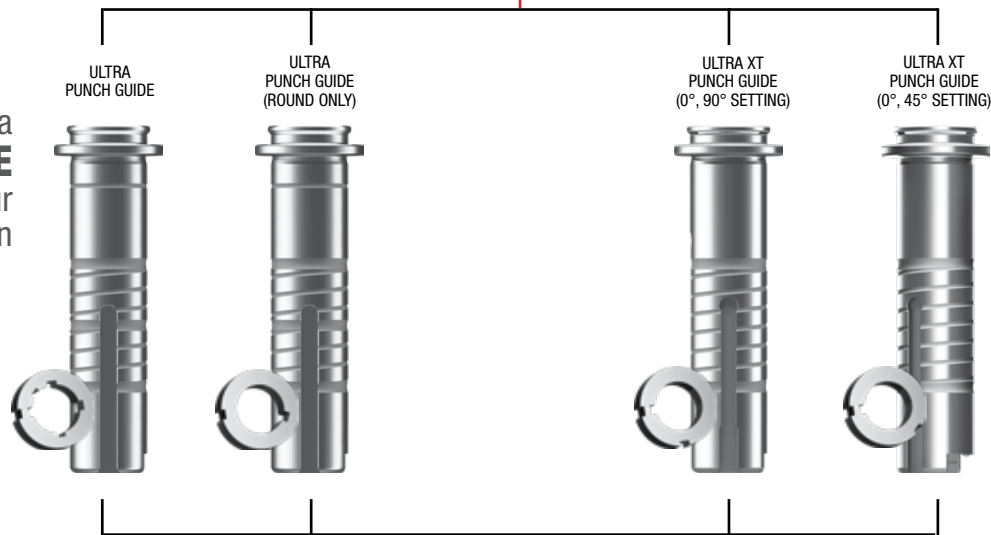
Select a **CANISTER**



Select a **PUNCH** style



Select a **GUIDE** for your application



[Dimensions in Inches (mm)]





(Ultra QCT shown)

ULTRA		Part Number	Price
CANISTERS			
Standard		MATE01361	143,78
Heavy Duty*		MATE01866	207,56
QUICKHIT™		A0VASTCQ	142,43
Ultra Light™		MATE00276	182,59
PUNCHES			
Ultra QCT Punch Driver		MATE02404	143,78
Ultra QCT Punch Insert	Round	PAQA0A	49,95
Ultra QCT Punch Insert	Shape	PAQA_A	80,33
Ultra (Standard)	Round	PAUA0A	55,35
Ultra (Standard)	Shape	PAUA_A	123,19
Ultra Heavy Duty*	Round	PHUA0A	63,79
Ultra Heavy Duty*	Shape	PHUA_A	142,43
GUIDES			
Ultra / Ultra XT™	Round	A0VAOSGU	96,86
Ultra	Shape	A0VA00GU	257,51
Ultra XT 0°/90°	Shape	MATE00204	171,45
Ultra XT 0°/45°	Shape	MATE00205	171,45
STRIPPERS			
Ultra Stripper Plate	Round	S6KA0A	17,89
Ultra Stripper Plate	Shape	S6KA_A	44,21
Heavy Duty*	Round	SHKA0A	17,89
Heavy Duty*	Shape	SHKA_A	44,21
SLUG FREE DIES			
Slug Free Die	Round	D0AA00	31,73
Slug Free Die	Shape	D0AA_0	69,19
Heavy Duty*	Round	DHAA00	31,73
Heavy Duty*	Shape	DHAA_0	80,33
DIE SHIMS			
Package of 12 (3 each)			
0.008(0.20)	MSAA		19,24
0.016(0.40)			
0.032(0.80)			
0.048(1.20)			

*Heavy Duty Canister, Punch, Stripper and Slug Free Die must be used together

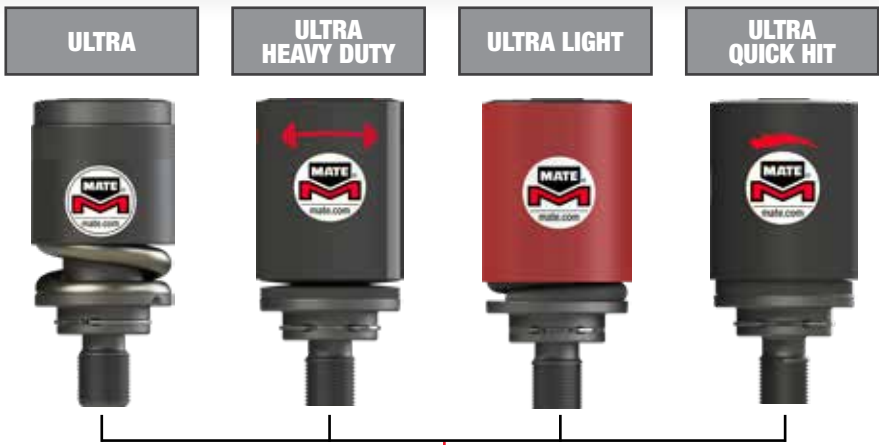
QCT TONNAGE LIMITATIONS	
A Station	5 U.S. TONS / 4.54 METRIC TONS
B Station	14 U.S. TONS / 12.70 METRIC TONS

- Optional M4PM steel available for Ultra punches
- Optional MPM82 steel available for Slug Free dies (see page 74-75 for details)

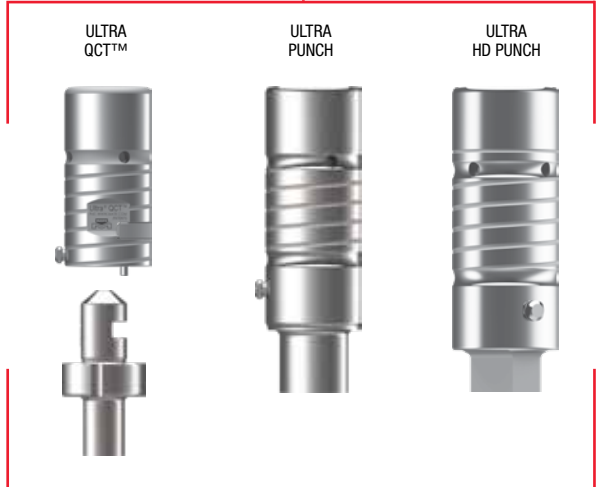
[Dimensions in Inches (mm)]



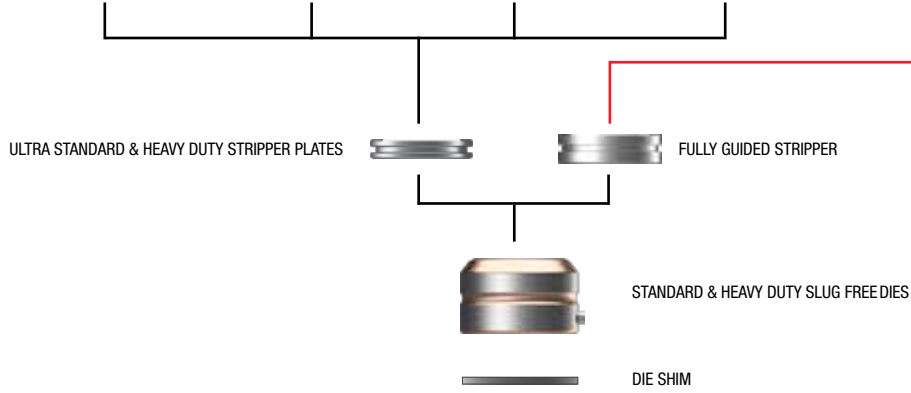
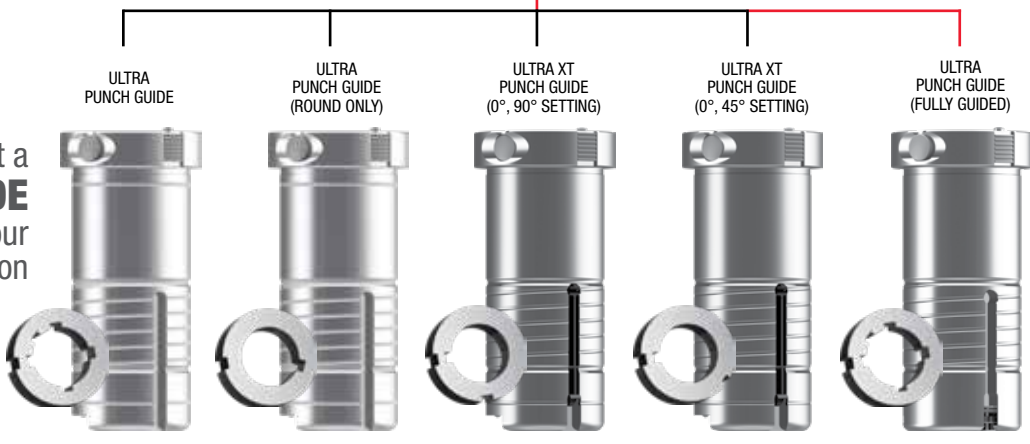
Select a **CANISTER**



Select a **PUNCH** style



Select a **GUIDE** for your application



[Dimensions in Inches (mm)]





(Ultra QCT shown)

ULTRA		Part Number	Price
CANISTERS			
Standard		MATE01078	173,14
Heavy Duty*		A0VBHSCA6	247,73
QUICKHIT™		A0VBSTCQ	173,14
Ultra Light™		MATE00277	210,26
PUNCHES			
Ultra QCT Punch Driver		MATE02401	182,59
Ultra QCT Punch Insert	Round	PAQBOA	71,89
Ultra QCT Punch Insert	Shape	PAQB_A	119,14
Ultra (Standard)	Round	PAUBOA	88,43
Ultra (Standard)	Shape	PAUB_A	150,86
Ultra Heavy Duty*	Round	PHUBOA	99,56
Ultra Heavy Duty*	Shape	PHUB_A	177,19
GUIDES			
Ultra / Ultra XT™	Round	A0VBOSGU	186,98
Ultra	Shape	A0VB00GU	380,70
Ultra XT 0°/90°	Shape	MATE00206	285,19
Ultra XT 0°/45°	Shape	MATE00207	285,19
Ultra Fully Guided		A0VB00GG	513,34
STRIPPERS			
Ultra	Round	S6KB0A	17,89
Ultra	Shape	S6KB_A	44,21
Heavy Duty*	Round	SHKB0A	17,89
Heavy Duty*	Shape	SHKB_A	55,35
Fully Guided	Round	S6KK0A	66,49
Fully Guided	Shape	S6KK_A	88,43
SLUG FREE DIES			
Slug Free Die	Round	DOAB00	31,73
Slug Free Die	Shape	DOAB_0	80,33
Heavy Duty*	Round	DHAB00	31,73
Heavy Duty*	Shape	DHAB_0	108,00
DIE SHIMS			
Package of 12 (3 each)			
0.008(0.20)	MSAB		22,28
0.016(0.40)			
0.032(0.80)			
0.048(1.20)			

*Heavy Duty Canister, Punch, Stripper and Slug Free Die must be used together

QCT TONNAGE LIMITATIONS	
A Station	5 U.S. TONS / 4.54 METRIC TONS
B Station	14 U.S. TONS / 12.70 METRIC TONS

- Optional M4PM steel available for Ultra punches
- Optional MPM82 steel available for Slug Free dies (see page 74-75 for details)

[Dimensions in Inches (mm)]



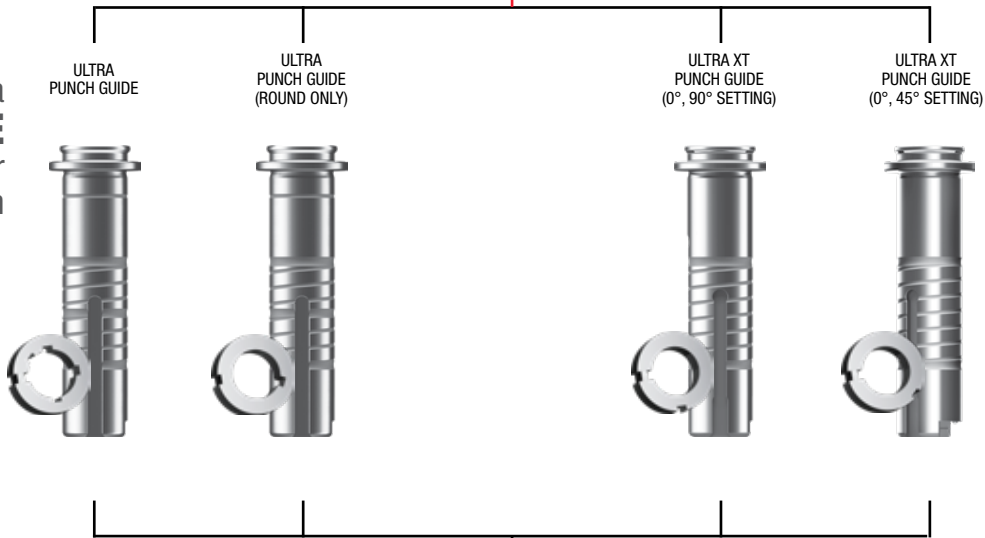
Select a **CANISTER**



Select a **PUNCH** style



Select a **GUIDE** for your application



AMX
MATE ABS TOOLING SYSTEM

FOR CUSTOMERS WITH ABS SYSTEMS, MATE AMX PUNCHES ARE FULLY COMPATIBLE WITH THE ULTRA SYSTEM. SEE PAGE 59 FOR DETAILS.



ULTRASTANDARD & HEAVY DUTY STRIPPER PLATES

STANDARD & HEAVY DUTY SLUG FREEIES

DIE SHIM

[Dimensions in Inches (mm)]



(Metric QCT™ shown)

ULTRA METRIC		Part Number	Price
CANISTER			
Metric		MATE01362	143,78
Heavy Duty*		MATE01867	207,56
Ultra Light™		MATE00278	182,59
QUICKHIT™		AOVAASCQ	142,43
PUNCH			
Metric QCT™ Punch Driver	Keyed	MATE02519	163,35
Metric QCT™ Punch Driver	Keyless	MATE02520	163,35
Ultra QCT™ Punch Insert	Round	PAQA0A	49,95
Ultra QCT™ Punch Insert	Shape	PAQA_A	80,33
Metric (Original Style)	Round	PAAA0A	40,16
Metric (Original Style)	Shape	PAAA_A	95,51
GUIDE			
Ultra / Ultra XT	Round	AOVA0SGU	96,86
Ultra	Shape	AOVA00GU	257,51
Ultra XT 0°/90°	Shape	MATE00204	171,45
Ultra XT 0°/45°	Shape	MATE00205	171,45
STRIPPER			
Ultra	Round	S6KA0A	17,89
Ultra	Shape	S6KA_A	44,21
Heavy Duty*	Round	S6KA0A	17,89
Heavy Duty*	Shape	S6KA_A	44,21
SLUG FREE DIE			
Slug Free Die	Round	DOAA00	31,73
Slug Free Die	Shape	DOAA_0	69,19
Heavy Duty*	Round	DHAA00	31,73
Heavy Duty*	Shape	DHAA_0	80,33
DIE SHIMS			
Package of 12 (3 each)			
0.008(0.20)	MSAA		19,24
0.016(0.40)			
0.032(0.80)			
0.048(1.20)			

*Heavy Duty Canister, Punch, Stripper and Slug Free Die must be used together

QCT TONNAGE LIMITATIONS	
A Station	5 U.S. TONS / 4.54 METRIC TONS
B Station	14 U.S. TONS / 12.70 METRIC TONS

- Optional M4PM steel available for Ultra punches
- Optional MPM82 steel available for Slug Free dies (see page 74-75 for details)

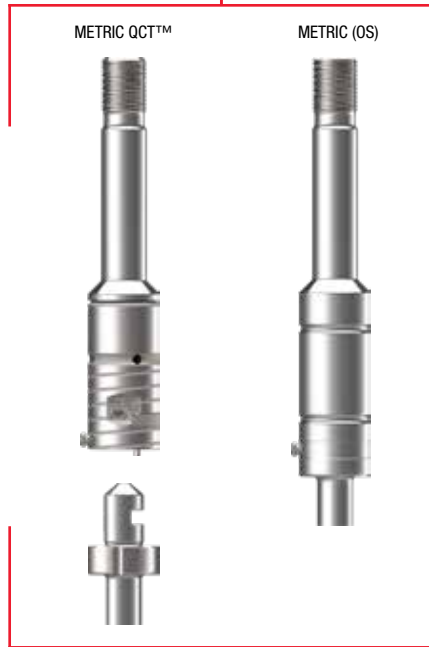
[Dimensions in Inches (mm)]



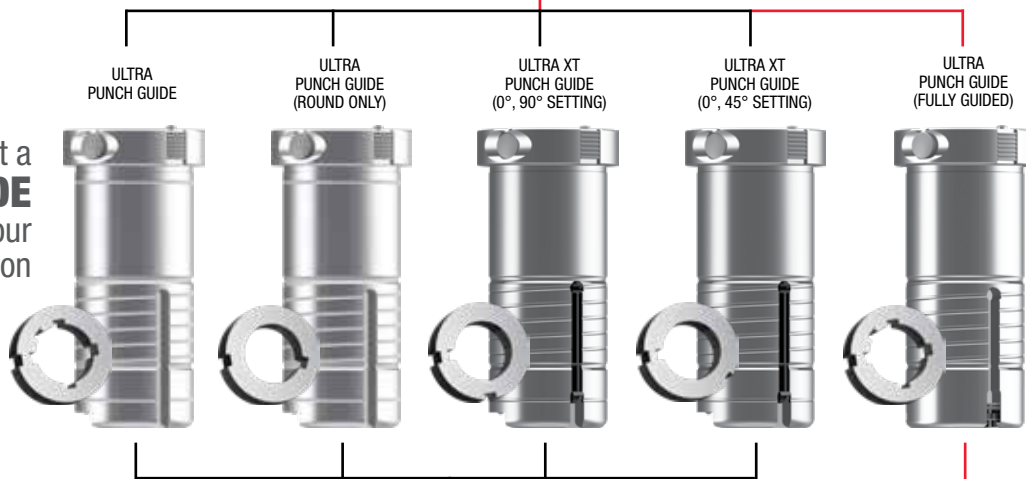
Select a **CANISTER**



Select a **PUNCH** style



Select a **GUIDE** for your application



ULTRA STANDARD & HEAVY DUTY STRIPPER PLATES



FULLY GUIDED STRIPPER



STANDARD & HEAVY DUTY SLUG FREE DIES



DIE SHIM

AMX
MATE ABS TOOLING SYSTEM

FOR CUSTOMERS WITH ABS SYSTEMS, MATE AMX PUNCHES ARE FULLY COMPATIBLE WITH THE ULTRA SYSTEM. SEE PAGE 59 FOR DETAILS.

[Dimensions in Inches (mm)]





ULTRA METRIC		Part Number	Price
CANISTER			
Metric		MATE01076	173,14
Heavy Duty*		AOVBHMCA	247,73
Ultra Light		MATE00279	210,26
QUICKHIT		AOVBASCQ	142,43
PUNCH			
Metric QCT Punch Driver	Keyed	MATE02521	212,96
Metric QCT Punch Driver	Keyless	MATE02522	212,96
Ultra QCT Punch Insert	Round	PAQB0A	71,89
Ultra QCT Punch Insert	Shape	PAQB_A	119,14
Metric (Original Style)	Round	PAAB0A	74,59
Metric (Original Style)	Shape	PAAB_A	142,43
GUIDE			
Ultra / Ultra XT	Round	AOVB0SGU	186,98
Ultra	Shape	AOVB00GU	380,70
Ultra XT 0°/90°	Shape	MATE00206	285,19
Ultra XT 0°/45°	Shape	MATE00207	285,19
Ultra Fully Guided		AOVB00GG	513,34
STRIPPER			
Ultra	Round	S6KB0A	17,89
Ultra	Shape	S6KB_A	44,21
Heavy Duty*	Round	S6KB0A	17,89
Heavy Duty*	Shape	S6KB_A	44,21
Fully Guided	Round	S6KK0A	66,49
Fully Guided	Shape	S6KK_A	88,43
SLUG FREE DIE			
Slug Free Die	Round	DOAB00	31,73
Slug Free Die	Shape	DOAB_0	80,33
Heavy Duty*	Round	DHAB00	31,73
Heavy Duty*	Shape	DHAB_0	108,00
DIE SHIMS			
Package of 12 (3 each)			
0.008(0.20)	MSAB		22,28
0.016(0.40)			
0.032(0.80)			
0.048(1.20)			

*Heavy Duty Canister, Punch, Stripper and Slug Free Die must be used together

QCT TONNAGE LIMITATIONS	
A Station	5 U.S. TONS / 4.54 METRIC TONS
B Station	14 U.S. TONS / 12.70 METRIC TONS

- Optional M4PM steel available for Ultra punches
- Optional MPM82 steel available for Slug Free dies
(see page 74-75 for details)

[Dimensions in Inches (mm)]





MATE RAPIDSET CANISTERS INCLUDE THE FOLLOWING FEATURES

- Fast, easy punch length adjustment without removal from the guide reducing downtime and increases productivity
- Self-contained pre-loaded spring pack for consistent stripping pressure and reliable operation.
- Consistent die penetration reduces slug pulling
- Canisters feature textured surface with knurled Gription™ ring for ease of handling
- Only 1 clamping screw needed to adjust length
- 0.315" (8,00mm) grind life in 0.039" (1,00mm) material with 0.118" (3,00mm) die penetration
 - Mate Original Style grind life is much less: only 0.189" (4,82mm)

FULLY COMPATIBLE WITH:

- Mate Original Style tooling
- Mate AMX tooling
- Amada Standard Style tooling
- Amada Standard Style ABS tooling



MATE ORIGINAL STYLE THICK TURRET TOOLING INCLUDES THE FOLLOWING FEATURES

PUNCH HEAD:

Hexagonal design and 12.9 grade socket head cap screw for easier installation and adjustment

SPRING:

High performance spring shot peened prior to painting for extended service life

SPRING RETAINER:

Reversible design returns the punch point to "new" position by turning over retainer after 0.078(2.00) has been removed during regrinding

FULLY COMPATIBLE WITH:

- Mate Original Style tooling
- Mate AMX tooling
- Amada Standard Style tooling
- Amada Standard Style ABS tooling

[Dimensions in Inches (mm)]

ORIGINAL STYLE COMPATIBLE PUNCH, STRIPPER AND DIE FEATURES

ORIGINAL STYLE PUNCHES:

- Premium high speed tool steel for optimal edge wear resistance
- 1/4 degree back taper and near polished flanks reduce friction and eliminate galling
- Exceptional dimensional accuracy and tool life
- Minute corner radii to reduce chipping
- Superior angularity and concentricity

ORIGINAL STYLE STRIPPERS:

- Closer tolerance openings and precision alignment slots for superior piece part quality
- Hardened and ground to reduce friction
- Radiussed face to reduce sheet marking

SLUG FREE DIES:

- High wear resistant, chrome air hardened tool steel
- Slug Free Die geometry eliminates slug pulling
- Uniform clearance radii in die corners for improved piece part quality
- Precision orientation with hardened pin
- Up to 0.125" (3.20mm) grind life
- Improved die strength
- Superior roundness and flatness



AMX
MATE ABS TOOLING SYSTEM

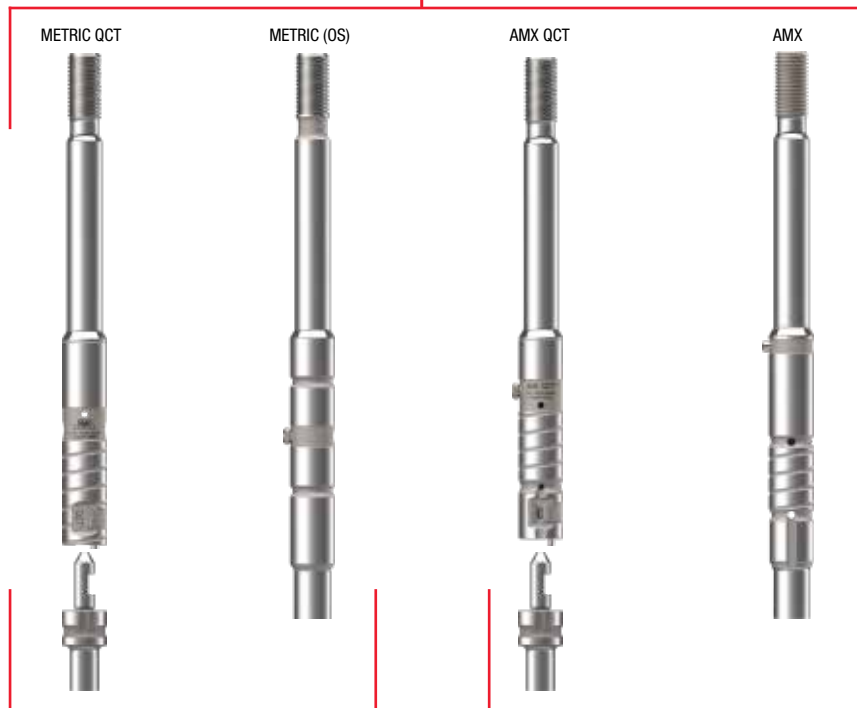
FOR CUSTOMERS WITH ABS SYSTEMS, MATE AMX PUNCHES ARE FULLY COMPATIBLE WITH AMADA® ABS ASSEMBLIES. SEE PAGE 59 FOR DETAILS.

[Dimensions in Inches (mm)]

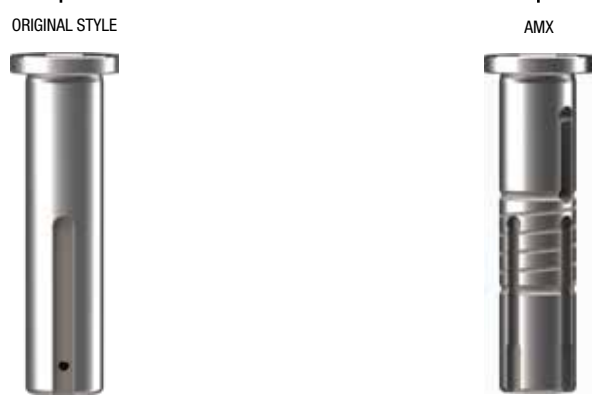
Select a **CANISTER**



Select a **PUNCH** style



Select a **GUIDE** for your application



AMX
MATE ABS TOOLING SYSTEM

FOR CUSTOMERS WITH ABS SYSTEMS, MATE AMX PUNCHES ARE FULLY COMPATIBLE WITH AMADA® ABS ASSEMBLIES. SEE PAGE 59 FOR DETAILS.



STANDARD & HEAVY DUTY SLUG FREEIDIES

DIE SHIM

[Dimensions in Inches (mm)]





RAPIDSET/ORIGINAL STYLE

Part Number	Price
-------------	-------

ORIGINAL STYLE UPPER		
Complete Assembly	XPAAAA	48,26
Punch Head	A0LA00PH	15,19
Stripping Spring	SPR33662	17,89
Spring Retainer	A0LA00SR	15,19

RAPIDSET CANISTER		
Complete Canister Assembly	MATE02044	134,33

PUNCH — METRIC			
Original Style	Round	PAAA0A	40,16
Original Style	Shape	PAAA_A	95,51
AMX QCT Punch Driver	Keyed	MATE02551	276,75
AMX QCT Punch Driver	Keyless	MATE02553	241,99
QCT Punch Insert	Round	PAQA0A	49,95
QCT Punch Insert	Shape	PAQA_A	80,33
AMX ABS	Round	PMXA0A	75,94
AMX ABS	Shape	PMXA_A	137,03

GUIDE (includes O-ring)			
Original Style	Round	S6AA00	74,59
Original Style	Shape	S6AA_0	131,29
AMX	Round	SMXA0A	124,54
AMX	Shape	SMXA_A	210,26

GUIDE HARDWARE		
O-Ring (12 minimum*)	MIS60548	2,03
O-Ring (12 minimum*)	MIS60468	2,03

DIE		
SLUG FREE DIE		
Round	DOAA00	31,73
Shape	DOAA_0	69,19

DIE SHIMS		
Package of 12 (3 each)		
0.008(0.20)	MSAA	19,24
0.016(0.40)		
0.032(0.80)		
0.048(1.20)		

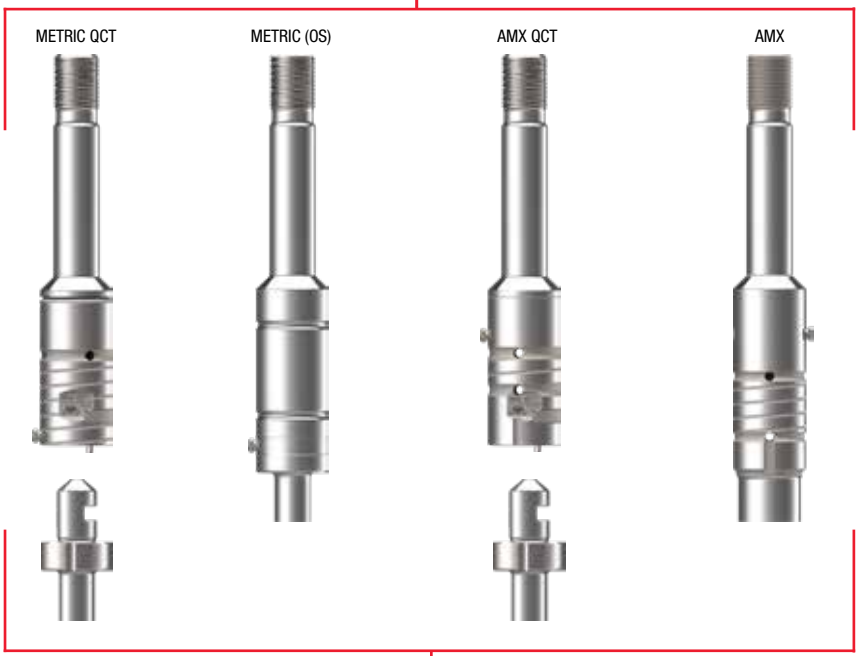
AMX SEAL KIT (Required for use in AMX/ABS Environments)		
A Station Original Style Seal Kit	MATE01880	3,38

[Dimensions in Inches (mm)]

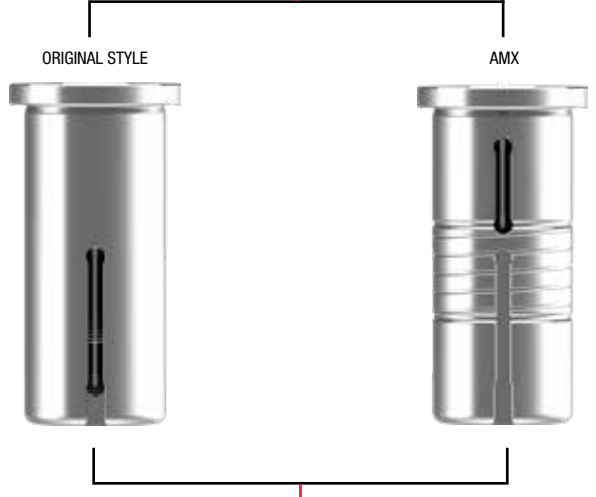
* Items may be added individually beyond minimum quantity



Select a **PUNCH** style



Select a **GUIDE** for your application



[Dimensions in Inches (mm)]





ORIGINAL STYLE

Part Number	Price
-------------	-------

UPPER ASSEMBLY

Complete Assembly	XPABAA	67,50
Punch Head	A0LB00PH	17,89
Stripping Spring	SPR33689	31,73
Spring Retainer	A0LB00SR	17,89

RAPIDSET CANISTER

Complete Canister Assembly	MATE02050	157,61
----------------------------	-----------	---------------

PUNCH — METRIC

Original Style	Round	PAAB0A	74,59
Original Style	Shape	PAAB_A	142,43
AMX QCT Punch Driver	Keyed	MATE02552	376,31
AMX QCT Punch Driver	Keyless	MATE02554	323,66
QCT Punch Insert	Round	PAQB0A	71,89
QCT Punch Insert	Shape	PAQB_A	119,14
AMX ABS	Round	PMXB0A	110,70
AMX ABS	Shape	PMXB_A	175,84

GUIDE (includes O-Ring)

Original Style	Round	S6AB00	75,94
Original Style	Shape	S6AB_0	175,84
AMX	Round	SMXB0A	146,81
AMX	Shape	SMXB_A	229,84

GUIDE HARDWARE

O-Ring (12 minimum*)	MIS60556	2,03
----------------------	----------	-------------

DIE

SLUG FREE DIE

Round	D0AB00	31,73
Shape	D0AB_0	80,33

DIE SHIMS

Package of 12 (3 each)		
0.008(0.20)	MSAB	22,28
0.016(0.40)		
0.032(0.80)		
0.048(1.20)		

* Items may be added individually beyond minimum quantity

AMX SEAL KIT (Required for use in AMX/ABS Environments)

B Station Original Style Seal Kit	MATE01883	3,38
-----------------------------------	-----------	-------------

[Dimensions in Inches (mm)]

ULTRA C, D AND E STATION PRECISION TOOLING SYSTEM – DESIGNED TO DRAMATICALLY IMPROVE ANY PUNCHING OPERATION

- 0.212(5.38) more punch grind life than original style tooling
- Quick change strippers
Quick length adjustment
- Internal lubrication within punch guide
- External lubrication between guide and turret bore ensures uniform distribution of oil within the turret bore
- Hardened guides to reduce turret bore wear
- Slug Free dies eliminate slug pulling

PUNCHES:

- Premium high speed tool steel for extended life between regrinds and maximum productivity
- 1/4 degree back taper and near polished flanks to reduce friction and eliminate galling
- Superior angularity, concentricity, and dimensional accuracy
- Robust full-body design
- Fully compatible with original style thick turret tooling

STRIPPERS:

- Relieved to allow 0.078(2.00) extra grind life
- Recessed to allow collection of lubrication fluid at punch tip
- Quick-change mechanism to allow rapid tool change
- Rounded edges to minimize sheet marking
- Optional urethane stripper pads to eliminate sheet marking

SLUG FREE DIES:

- Highly wear resistant, chrome air hardened tool steel to balance hardness and toughness
- Slug Free die geometry eliminates slug pulling
- Uniform clearance radii in die corners to improve edge quality
- Precision orientation keyway
- Up to 0.125(3.20) grind life
- Superior roundness and flatness with exceptional die strength

PUNCH GUIDE ASSEMBLY:

- Quick-change stripper release mechanism allows stripper to be removed easily, without tools
- Quick length adjustment mechanism on the side of the guide allows the punch length to be adjusted without disassembly
- Hardened and ground to stay round and true to size to greatly reduce turret bore wear
- Internal and external lubrication grooves to reduce friction
- High performance disc springs to optimize stripping force throughout the service life of the machine

GUIDE ASSEMBLIES WITH M14 BOLTS:

- Same Ultra guide assemblies described above, but with M14 bolts
- Provide full compatibility with existing M14 threaded punches
- Conversion kit available for compatibility with M12 threaded punches



[Dimensions in Inches (mm)]

Mate offers a wide range of C, D and E Station tooling systems to fit virtually any punching application.



ULTRA

- 0.212(5.38) more punch grind life than Original Style
- Quick change strippers
- Quick length adjustment
- Internal lubrication within punch guide
- External lubrication between guide and turret bore ensures uniform distribution of oil within the turret bore
- Hardened guides to reduce turret bore wear
- Slug Free dies eliminate slug pulling

ULTRA FULLY GUIDED

- Includes all of the features of Ultra tooling PLUS:
 - Accurate and close tolerances between guide and stripper hold punches rigid to control against hole distortion and saw toothing
 - Stripper opening 0.0015(0.04) TC to point
 - Guiding at punch point supports punches, increases hole accuracy, improves stripping and prevents scrap from rising into the assembly

ULTRA XT

- Quick tool change with easy click length adjustment
- Grooved guides for better lubrication
- Slug Free die design
- Compatible with machine tool lubrication systems.
- OEM compatible strippers in the 2" C, 3-1/2" D, 4-1/2" E stations

ORIGINAL STYLE

- Fully OEM compatible
- Hardened and ground to reduce turret bore wear
- Internal and external lubrication grooves to reduce friction
- High performance disc springs to optimize stripping force throughout the service life of the machine

ULTRA LIGHT SPRING PACK

- Reduced spring pressure to eliminate unwanted sheet marking
- Designed for thin or decorative materials
- Ideal for high polish, textured, pre-painted or reflective metals where finish appearance is critical
- Quieter punching in all applications. Noise levels reduced by as much as 10 decibels

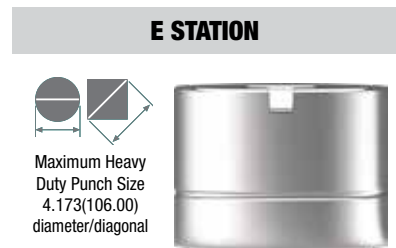
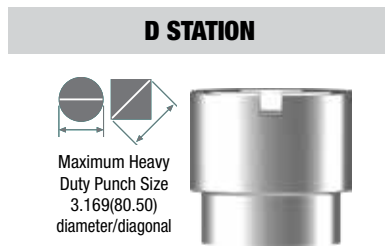
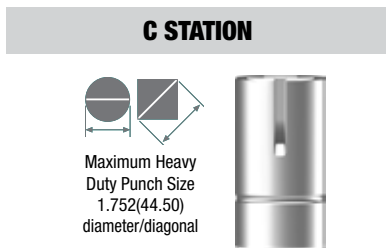
[Dimensions in Inches (mm)]

ORIGINAL STYLE PUNCHES

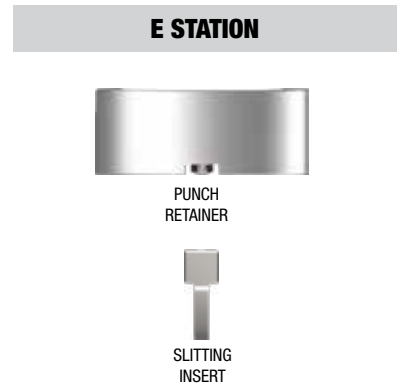
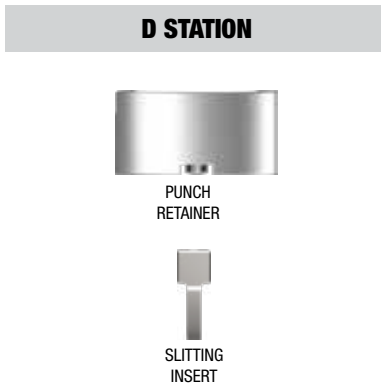
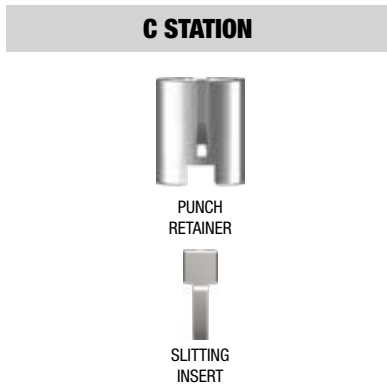
Mate Original Style punches are fully OEM compatible. Made from premium high speed tool steel for optimal wear resistance, the punches include a 1/4 degree back taper and near polished flanks to reduce friction and eliminate galling.



ORIGINAL STYLE HEAVY DUTY PUNCHES



ORIGINAL STYLE SLITTING TOOLS



STANDARD SHAPES (NUMBERING INDICATES SHAPE CODE):















[Dimensions in Inches (mm)]












STANDARD STRIPPER PLATE OPTIONS

Fully OEM compatible with close tolerance openings for superior piece part quality.

C STATION	D STATION	E STATION
 ULTRA STRIPPER PLATE	 ULTRA STRIPPER PLATE	 ULTRA STRIPPER PLATE
 FULLY GUIDED STRIPPER PLATE	 FULLY GUIDED STRIPPER PLATE	 FULLY GUIDED STRIPPER PLATE
 ULTRA HEAVY DUTY STRIPPER PLATE	 ULTRA HEAVY DUTY STRIPPER PLATE	 ULTRA HEAVY DUTY STRIPPER PLATE
 ULTRA XT & ORIGINAL STYLE STRIPPER PLATE	 ULTRA XT & ORIGINAL STYLE STRIPPER PLATE	 ULTRA XT & ORIGINAL STYLE STRIPPER PLATE

STANDARD DIE OPTIONS

Highly wear resistant, chrome air hardened tool steel to balance hardness and toughness. Slug Free die geometry eliminates slug pulling. Uniform clearance radii in die corners to improve edge quality. Precision orientation keyway. Up to 0.125(3.20) grind life.

C STATION	D STATION	E STATION
 SLUG FREE DIE	 SLUG FREE DIE	 SLUG FREE DIE
 <p>MAXIMUM HEAVY DUTY DIE SIZE 1.791(45.50) DIAMETER/DIAGONAL (INCLUDES CLEARANCE)</p>	 <p>MAXIMUM HEAVY DUTY DIE SIZE 3.209(81.50) DIAMETER/DIAGONAL (INCLUDES CLEARANCE)</p>	 <p>MAXIMUM HEAVY DUTY DIE SIZE 4.213(107.00) DIAMETER/DIAGONAL (INCLUDES CLEARANCE)</p>
 HEAVY DUTY SLUG FREE DIE	 HEAVY DUTY SLUG FREE DIE	 HEAVY DUTY SLUG FREE DIE

AMX
MATE ABS TOOLING SYSTEM

FOR CUSTOMERS WITH ABS SYSTEMS, MATE AMX PUNCHES ARE FULLY COMPATIBLE WITH AMADA® ABS ASSEMBLIES. SEE PAGE 60 FOR DETAILS.

[Dimensions in Inches (mm)]



Select a **GUIDE** assembly



ORIGINAL STYLE HEAVY DUTY SLITTING

Select a **PUNCH** style



STANDARD SLUG FREE DIES HEAVY DUTY DIE



Select a **DIE** style

DIE SHIM



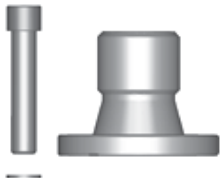
FOR CUSTOMERS WITH ABS SYSTEMS, MATE AMX PUNCHES ARE FULLY COMPATIBLE WITH THE ULTRA SYSTEM. SEE PAGE 59 FOR DETAILS.

[Dimensions in Inches (mm)]





M14 PUNCH DRIVER CONVERSION KIT		
Ultra/Ultra XT C STATION M14 Punch Driver Conversion Kit	MATE00651	164,70



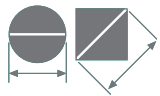
Also available is an M14 punch driver conversion kit to convert existing Mate Ultra guides with M12 bolts to suit punches with an M14 thread.

[Dimensions in Inches (mm)]

ULTRA		Part Number	Price
GUIDE ASSEMBLY			
Ultra		AGVC1Y	1807,31
Ultra with M14 Bolt		MATE02396	1864,01
Fully Guided		AGVS1Z	2022,98
Fully Guided with M14 Bolt		MATE00657	2082,38
XT		MATE00209	1335,15
PUNCHES			
Original Style	Round	PAAC0A	117,45
Original Style	Shape	PAAC_A	203,51
Heavy Duty*	Round	PHAC0A	143,78
Heavy Duty*	Shape	PHAC_A	246,38
STRIPPERS PLATE			
Ultra Stripper Plate	Round	S6KCOA	46,91
Ultra Stripper Plate	Shape	S6KC_A	70,54
Fully Guided	Round	S2KLOA	171,45
Fully Guided	Shape	S2KL_A	247,73
Heavy Duty*	Round	SHKCOA	46,91
Heavy Duty*	Shape	SHKC_A	88,43
SLUG FREE DIES			
Slug Free Die	Round	DOAC00	105,30
Slug Free Die	Shape	DOAC_0	220,05
Heavy Duty*	Round	DHAC00	164,70
Heavy Duty*	Shape	DHAC_0	279,45
DIE SHIMS			
Package of 12 (3 each)			
0.008(0.20)	MSAC		24,98
0.016(0.40)			
0.032(0.80)			
0.048(1.20)			

*Heavy Duty Punch, Stripper and Slug Free Die must be used together

SLITTING TOOL COMPONENTS		
PUNCH RETAINER		
Original Style	AOLC00PR	239,29
INSERTS		
Slitting Insert	P4AP_A	164,70
Die Insert	DOKP_0	152,21
SLITTING DIE BODY		
Slitting Insert	AOLC00SD	567,34



Maximum
2.000(50.80)
diameter/diagonal



D/L = Diagonal/Length
R C = Radius Corners

**Slitting Insert with
Slug Free Die**

2.000(50.80) max. D/L
0.709(18.00) max. width

Slug Free Die

2.059(52.30) max. D/L
0.768(19.50) max. width

**Slitting Insert with
Die Inserts**

2.000(50.80) max. D/L
0.268(6.80) max. width

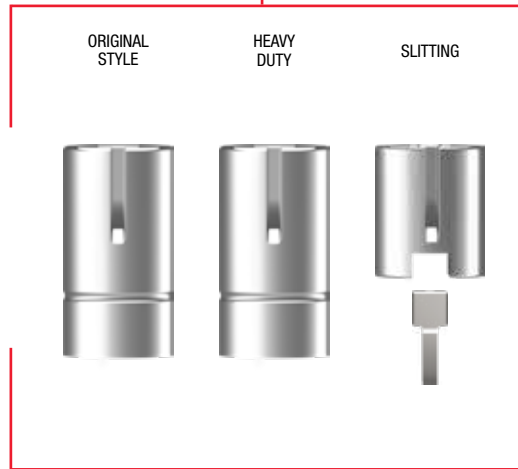
**Die Inserts, Rectangles
and Ovals**

2.028(51.50) max. D/L
0.295(7.50) max. width

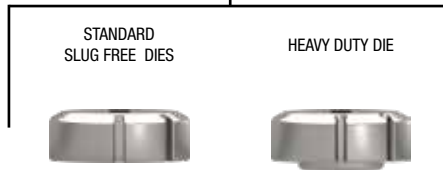
ORIGINAL STYLE



Select a
PUNCH
style



Select a
DIE
style



DIE SHIM



FOR CUSTOMERS WITH ABS SYSTEMS, MATE AMX
PUNCHES ARE FULLY COMPATIBLE WITH THE ULTRA
SYSTEM. SEE PAGE 59 FOR DETAILS.

[Dimensions in Inches (mm)]





ORIGINAL STYLE		Part Number	Price
GUIDE ASSEMBLY			
Punch Guide		AGLC1	904,84
PUNCH SHIMS			
Package of 9 (3 each)			
0.016(0.40)		VSAC	30,38
0.032(0.80)			
0.048(1.20)			
PUNCH BODY			
Original Style	Round	PAAC0A	117,45
Original Style	Shape	PAAC_A	203,51
AMX	Round	PMXC0A	236,59
AMX	Shape	PMXC_A	340,54
STRIPPERS PLATE			
Stripper Plate	Round	S6AC0A	33,08
Stripper Plate	Shape	S6AC_A	58,05
Heavy Duty*	Round	SHKC0A	46,91
Heavy Duty*	Shape	SHKC_A	88,43
SLUG FREE DIES			
Slug Free Die	Round	DOAC00	105,30
Slug Free Die	Shape	DOAC_0	220,05
Heavy Duty*	Round	DHAC00	164,70
Heavy Duty*	Shape	DHAC_0	279,45
DIE SHIMS			
Package of 9 (3 each)			
0.016(0.40)		MSAC	24,98
0.032(0.80)			
0.048(1.20)			

SLITTING TOOL COMPONENTS

PUNCH RETAINER			
Original Style		AOLC00PR	239,29
INSERTS			
Slitting Insert		P4AP_A	163,35
Die Insert		DOKP_0	152,21
SLITTING DIE BODY			
Slitting Insert		AOLC00SD	567,34

[Dimensions in Inches (mm)]

ULTRA FULLY GUIDED CLAMP CLEARING SLITTING SYSTEM

This tool is specially designed for slitting and parting applications. Separating piece parts, trimming sheet edges, and reducing sheet sizes often requires the use of a tool with long narrow dimensions. Rectangles with radius corners or ovals are recommended.

Slitting and parting applications require the tool to pierce material cleanly and accurately while overcoming various side load and twisting pressures. For example, parting a sheet will include an amount of overlap in each step where sheet resistance is absent. This causes the force of resistance to build on one side which can cause the hole to distort or saw tooth. The same is true when trimming the edge of a sheet.

FULLY GUIDED ASSEMBLY

Accurate and close tolerances between guide and stripper hold punches rigid, control against hole distortion and saw tothing.

ADDITIONAL 0.079(2.00) PUNCH GRIND LIFE

Use insert style punches from Mate with our specially designed stripper to gain additional grind life.

CLAMP CLEARING RELIEF

The stripper and the die are relieved so the clamp can pass between the upper and the lower unit. No need to reposition the clamps, saves time, improves piece part quality.

SLUG FREE DIE DESIGN

Eliminating slugs cleanly and effectively extends tool life, improves piece part quality and reduces scrap.



VERSADIE™ & VERSADIE HD™ THICK TURRET INSERT SLITTING DIE

Clamp clearing dies are necessary to maximize sheet usage — reducing both material cost and waste. Mate Versadie uses a different approach to slitting dies because you just replace the die insert, not the entire die. Versadie inserts are designed to allow for lengths up to 4.560(115.82mm) for E Stations and 3.560(90.42mm) for D Stations. With tighter tolerances of the insert to the holder, Versadie has superior overall quality over the competition. If you are slitting thicker materials that require more than 0.016”(0.406mm) total die clearance, Versadie HD improves slitting performance by incorporating more rigidity.

Versadie and Versadie HD use the same replaceable inserts made from MPM82 tool steel. MPM82 is a high speed tooling steel designed for use in high performance tooling systems. Its particle metallurgy is intended to provide high value and exceptional versatility, making it perfect for slitting operations.

DIE INSERT

- Premium MPM82 tool steel for superior performance and longevity
- Maximum diagonals — inches(mm)
 - D Station up to 3.560(90.42mm)
 - D Station for HD up to 3.209(81.51mm)
 - E Station up to 4.560(115.82mm)
 - E Station for HD up to 4.213(107.01mm)
- Widths up to .509(12.93mm)
- Mate SLUG FREE design

DIE BODY

- S7 Shock-Resisting Tool Steel

SHIMS

- D Station, package of 3 each: 0.016(0.41); 0.032(0.81); 0.048(1.22)
- E Station, package of 3 each: 0.016(0.41); 0.032(0.81); 0.048(1.22)

For maximum longevity, the die body allows shimming after the insert is sharpened during routine maintenance. There's no need for special shims — simply use standard thick turret die shims.



VERSADIE™

VERSADIE HD™
[Dimensions in Inches (mm)]

ORIGINAL STYLE SLITTING TOOLS

D STATION



PUNCH RETAINER



SLITTING INSERT

E STATION



PUNCH RETAINER



SLITTING INSERT

FULLY GUIDED CLAMP CLEARING STRIPPER OPTIONS

Use this tooling to work close to work holder clamps. The stripper is relieved so the clamp can pass between the upper and lower unit. No need to reposition the clamps, which saves time and improves piece part quality. Guiding at punch point supports punches, increases hole accuracy, improves stripping and prevents scrap from rising into the assembly. Stripper opening 0.0015(0.014) TC to point.

D STATION



"DD" STRIPPER PLATE



"D" STRIPPER PLATE

E STATION



"DD" STRIPPER PLATE



"D" STRIPPER PLATE

CLAMP CLEARING DIE OPTIONS

Use this tooling to work close to work holder clamps. The dies are relieved so the clamp can pass between the upper and lower unit. No need to reposition the clamps, which saves time and improves piece part quality. Slug Free die design clears the slug every cycle, extending tool life, improving piece part quality and reducing scrap.

D STATION



"DD" CLAMP CLEARING
SLUG FREE DIE



"D" CLAMP CLEARING
SLUG FREE DIE



VERSADIE WITH INSERT
(ALSO AVAILABLE IN HEAVY DUTY)

E STATION



"DD" CLAMP CLEARING
SLUG FREE DIE



"D" CLAMP CLEARING
SLUG FREE DIE



VERSADIE WITH INSERT
(ALSO AVAILABLE IN HEAVY DUTY)

[Dimensions in Inches (mm)]

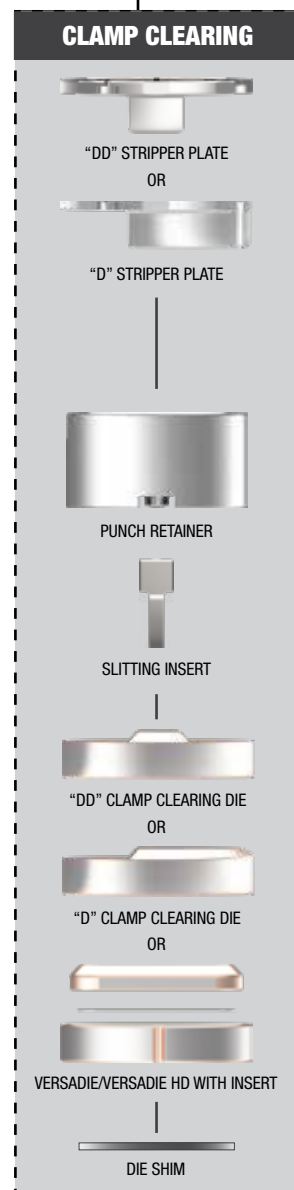
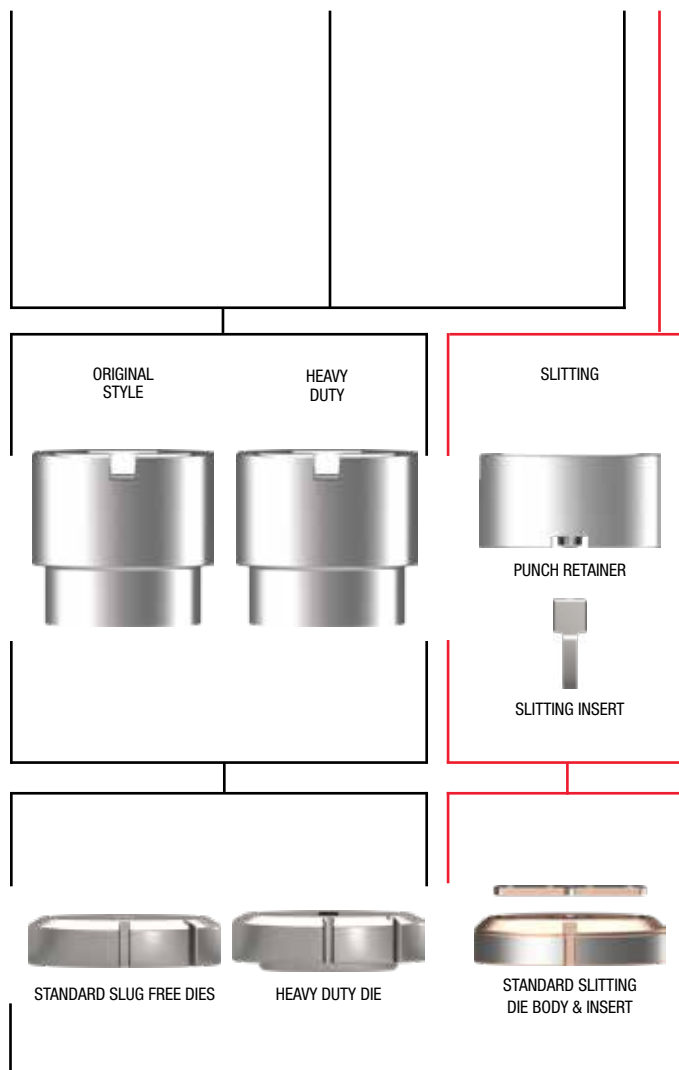
Select a **GUIDE** assembly



CLAMP CLEARING
MAXIMUM LENGTH/WIDTH

- 3.500(88.90) maximum punch diagonal/length
- 0.315(8.00) maximum punch width
- 3.560(90.40) maximum die diagonal/length
- 0.374(9.50) maximum die width

Select a **PUNCH** style



Select a **DIE** style

AMX
MATE ABS TOOLING SYSTEM
FOR CUSTOMERS WITH ABS SYSTEMS, MATE AMX PUNCHES ARE FULLY COMPATIBLE WITH THE ULTRA SYSTEM. SEE PAGE 59 FOR DETAILS.



[Dimensions in Inches (mm)]



ULTRA		Part Number	Price
GUIDE ASSEMBLY			
Ultra		AGVD1Y	2330,10
Ultra with M14 Bolt		MATE00658	2551,50
Fully Guided		AGVT1Y	2479,61
Fully Guided with M14 Bolt		MATE00657	2082,38
XT		MATE00211	1715,85

PUNCHES			
Original Style	Round	PAAD0A	175,84
Original Style	Shape	PAAD_A	290,59
Heavy Duty*	Round	PHAD0A	220,05
Heavy Duty*	Shape	PHAD_A	374,96

STRIPPERS PLATE			
Ultra Stripper	Round	S6KD0A	63,79
Ultra Stripper	Shape	S6KD_A	103,95
Fully Guided Stripper	Round	S2KM0A	188,33
Fully Guided Stripper	Shape	S2KM_A	286,54
Heavy Duty*	Round	SHKD0A	63,79
Heavy Duty*	Shape	SHKD_A	128,59

SLUG FREE DIES			
Slug Free Die	Round	D0AD00	157,61
Slug Free Die	Shape	D0AD_0	297,34
Heavy Duty*	Round	DHAD00	207,56
Heavy Duty*	Shape	DHAD_0	380,70

DIE SHIMS			
Package of 12 (3 each)			
0.008(0.20), 0.016(0.40), 0.032(0.80), 0.048(1.20)		MSAD	26,33

SLITTING/CLAMP CLEARING OPTIONS

STRIPPER PLATE OPTIONS			
"DD" Clamp Clearing		S6KW_A	286,54
"D" Clamp Clearing		S6KT_A	286,54

PUNCH RETAINER & INSERT			
Punch Retainer		A0LD00PR	343,24
Slitting Insert		P4AQ_A	186,98

STANDARD SLITTING DIE BODY & INSERT			
Slitting Die Body		A0LC00SD	567,34
Slitting Die Insert		DOKP_0	152,21

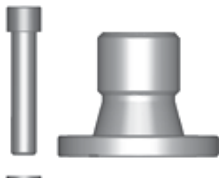
CLAMP-CLEARING DIE OPTIONS			
"DD" Clamp Clearing		D0AW_0	455,29
"D" Clamp Clearing		D0AT_A	455,29

VERSADIE CLAMP CLEARING DIE OPTIONS			
VersaDie Standard Body		MATE02223	426,26
VersaDie Heavy Duty Body		MATE02606	538,31
VersaDie Insert		D8AQ_A	285,19
VersaDie Insert Shim (9)		MATE02338	59,40

*Heavy Duty Punch, Stripper and Slug Free Die must be used together

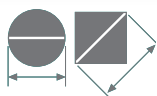
M14 PUNCH DRIVER CONVERSION KIT

Ultra/Ultra XT D Station M14 Punch Driver Conversion Kit	MATE00652	210,26
--	-----------	--------



Also available is an M14 punch driver conversion kit to convert existing Mate Ultra guides with M12 bolts to suit punches with an M14 thread.

[Dimensions in Inches (mm)]



Maximum
3.500(88.90)
diameter/diagonal



D/L = Diagonal/Length
R C = Radius Corners

**Slitting Insert with
Slug Free® Die**

3.500(88.90) max. D/L
0.709(18.00) max. width

Slug Free® Die

3.559(90.40) max. D/L
0.768(19.50) max. width

Slitting Insert with Die Inserts

3.500(88.90) max. D/L
0.315(8.00) max. width

Die Inserts R C ≤ 0.125(3.18)

3.384(85.95) max. length
0.335(8.50) max. width

OR

3.539(89.90) max. length
0.175(4.45) max. width

Die Inserts R C > 0.125(3.18) and Ovals

3.520(89.40) max. length
0.335(8.50) max. width

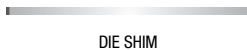
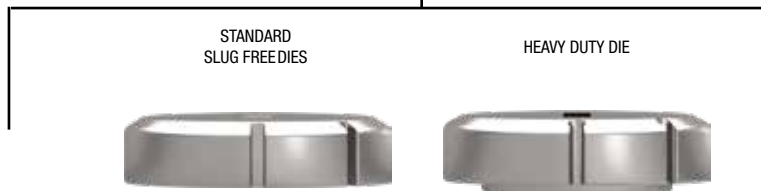
ORIGINAL STYLE



Select a
PUNCH
style



Select a
DIE
style



FOR CUSTOMERS WITH ABS SYSTEMS, MATE AMX PUNCHES ARE FULLY COMPATIBLE WITH THE ULTRA SYSTEM. SEE PAGE 59 FOR DETAILS.

[Dimensions in Inches (mm)]





ORIGINAL STYLE		Part Number	Price
GUIDE ASSEMBLY			
Punch Guide		AGLD1	1224,45
PUNCH SHIMS			
Package of 9 (3 each)			
0.016(0.40)	VSAD		31,73
0.032(0.80)			
0.048(1.20)			
PUNCH BODY			
Original Style	Round	PAAD0A	175,84
Original Style	Shape	PAAD_A	290,59
Heavy Duty*	Round	PHAD0A	220,05
Heavy Duty*	Shape	PHAD_A	374,96
STRIPPERS PLATE			
Stripper Plate	Round	S6AD0A	41,51
Stripper Plate	Shape	S6AD_A	78,98
Heavy Duty*	Round	SHKD0A	63,79
Heavy Duty*	Shape	SHKD_A	128,59
SLUG FREE DIES			
Slug Free Die	Round	DOAD00	157,61
Slug Free Die	Shape	DOAD_0	297,34
Heavy Duty*	Round	DHAD00	207,56
Heavy Duty*	Shape	DHAD_0	380,70
DIE SHIMS			
Package of 9 (3 each)			
0.016(0.40)	MSAD		26,33
0.032(0.80)			
0.048(1.20)			
SLITTING/CLAMP CLEARING OPTIONS			
PUNCH RETAINER & INSERT			
Punch Retainer		AOLD00PR	343,24
Slitting Insert		P4AQ_A	186,98
STANDARD SLITTING DIE BODY & INSERT			
Slitting Die Body		AOLD00SD	635,18
Slitting Die Insert		DOKQ_0	171,45
CLAMP-CLEARING DIE OPTIONS			
"DD" Clamp Clearing		DOAW_0	455,29
"D" Clamp Clearing		DOAT_A	455,29
VERSADIE CLAMP CLEARING DIE OPTIONS			
VersaDie Standard Body		MATE02223	426,26
VersaDie Heavy Duty Body		MATE02606	538,31
VersaDie Insert		D8AQ_A	285,19
VersaDie Insert Shim (9)		MATE02338	59,40

*Heavy Duty Punch, Stripper and Slug Free Die must be used together

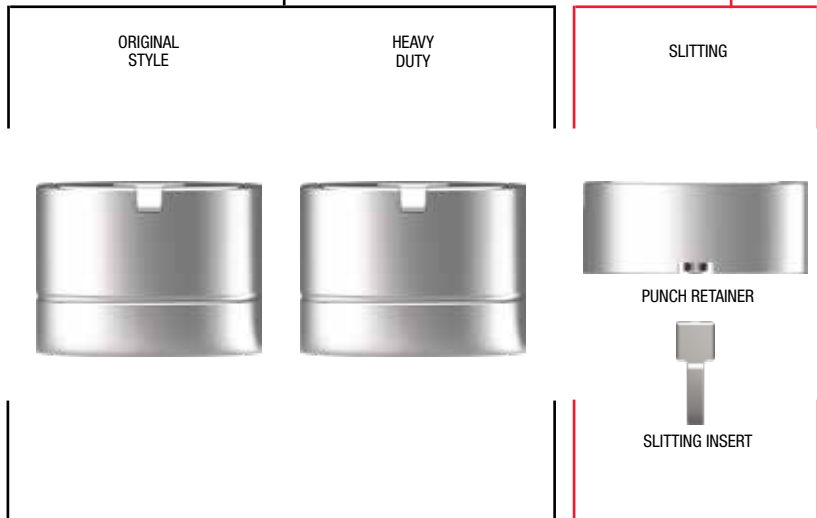
[Dimensions in Inches (mm)]

Select a **GUIDE** assembly

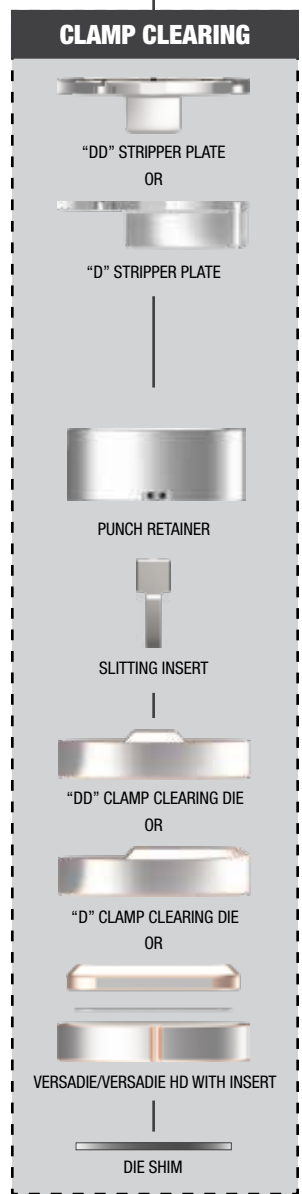


CLAMP CLEARING
MAXIMUM LENGTH/WIDTH
 4.500(114.30) maximum punch diagonal/length
 0.315(8.00) maximum punch width
 4.560(115.80) maximum die diagonal/length
 0.374(9.50) maximum die width

Select a **PUNCH** style



Select a **DIE** style



AMX
 MATE ABS TOOLING SYSTEM
 FOR CUSTOMERS WITH ABS SYSTEMS, MATE AMX PUNCHES ARE FULLY COMPATIBLE WITH THE ULTRA SYSTEM. SEE PAGE 59 FOR DETAILS.



[Dimensions in Inches (mm)]



*Heavy Duty Punch, Stripper and Slug Free Die must be used together

M14 PUNCH DRIVER CONVERSION KIT

Ultra/Ultra XT E STATION M14 Punch Driver Conversion Kit	MATE00653	231,19
--	-----------	--------



[Dimensions in Inches (mm)]

Also available is an M14 punch driver conversion kit to convert existing Mate Ultra guides with M12 bolts to suit punches with an M14 thread.

ULTRA

Part Number	Price
-------------	-------

GUIDE ASSEMBLY

Ultra	MATE02948	2677,05
Ultra with M14 Bolt	MATE01809	2741,18
Fully Guided	MATE02950	2671,99
Fully Guided with M14 Bolt	MATE01813	2749,61
XT™	MATE02945	1908,23

PUNCHES

Original Style	Round	PAAEOA	295,99
Original Style	Shape	PAAE_A	419,18
Heavy Duty*	Round	PHAE0A	369,56
Heavy Duty*	Shape	PHAE_A	513,34

STRIPPERS PLATE

Ultra Stripper	Round	S6KE0A	98,21
Ultra Stripper	Shape	S6KE_A	157,61
Fully Guided Stripper	Round	S2KN0A	208,91
Fully Guided Stripper	Shape	S2KN_A	323,66
Heavy Duty*	Round	SHKE0A	98,21
Heavy Duty*	Shape	SHKE_A	196,43

SLUG FREE DIES

Slug Free Die	Round	DOAE00	265,61
Slug Free Die	Shape	DOAE_0	469,13
Heavy Duty*	Round	DHAE00	455,29
Heavy Duty*	Shape	DHAE_0	590,96

DIE SHIMS

Package of 12 (3 each)		
0.008(0.20), 0.016(0.40), 0.032(0.80), 0.048(1.20)	MSAE	30,38

SLITTING/CLAMP CLEARING OPTIONS

STRIPPER PLATE OPTIONS

“DD” Clamp Clearing	S6KX_A	323,66
“D” Clamp Clearing	S6KU_A	323,66

PUNCH RETAINER & INSERT

Punch Retainer	AOLE00PR	369,56
Slitting Insert	P4AR_A	241,99

STANDARD SLITTING DIE BODY & INSERT

Slitting Die Body	A0LC00SD	567,34
Slitting Die Insert	DOKP_0	152,21

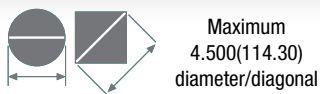
CLAMP-CLEARING DIE OPTIONS

“DD” Clamp Clearing	DOAX_0	647,66
“D” Clamp Clearing	DOAU_A	647,66

VERSADIE CLAMP CLEARING DIE OPTIONS

VersaDie Standard Body	MATE02225	498,15
VersaDie Heavy Duty Body	MATE02608	661,50
VersaDie Insert	D8AR_A	440,10
VersaDie Insert Shim (9)	MATE02339	74,59





D/L = Diagonal/Length
R C = Radius Corners

Slitting Insert with Slug Free Die

4.500(114.30) max. D/L
0.709(18.00) max. width

Slug Free Die

4.559(115.80) max. D/L
0.768(19.50) max. width

Slitting Insert with Die Inserts

4.500(114.30) max. D/L
0.315(8.00) max. width

Die Inserts R C ≤ .125(3.18)

4.411(112.05) max. length
0.335(8.50) max. width

OR

4.539(115.30) max. length
0.236(6.00) max. width

Die Inserts R C > .125(3.18) and Ovals

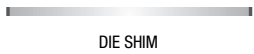
4.539(115.30) max. length
0.335(8.50) max. width



Select a
PUNCH
style



Select a
DIE
style



AMX
MATE ABS TOOLING SYSTEM

FOR CUSTOMERS WITH ABS SYSTEMS, MATE AMX PUNCHES ARE FULLY COMPATIBLE WITH THE ULTRA SYSTEM. SEE PAGE 59 FOR DETAILS.

[Dimensions in Inches (mm)]





ORIGINAL STYLE		Part Number	Price
GUIDE ASSEMBLY			
Punch Guide		AGLE1	1332,45
PUNCH SHIMS			
Package of 9 (3 each)			
0.016(0.40)	VSAE		33,08
0.032(0.80)			
0.048(1.20)			
PUNCH BODY			
Original Style	Round	PAAE0A	295,99
Original Style	Shape	PAAE_A	419,18
Heavy Duty*	Round	PHAE0A	369,56
Heavy Duty*	Shape	PHAE_A	513,34
STRIPPERS PLATE			
Stripper Plate	Round	S6AE0A	58,05
Stripper Plate	Shape	S6AE_A	103,95
Heavy Duty*	Round	SHKE0A	98,21
Heavy Duty*	Shape	SHKE_A	196,43
SLUG FREE DIES			
Slug Free Die	Round	DOAE00	265,61
Slug Free Die	Shape	DOAE_0	469,13
Heavy Duty*	Round	DHAE00	455,29
Heavy Duty*	Shape	DHAE_0	590,96
DIE SHIMS (FOR ORIGINAL STYLE AND VERSADIE)			
Package of 9 (3 each)			
0.016(0.40)	MSAE		30,38
0.032(0.80)			
0.048(1.20)			
SLITTING/CLAMP CLEARING OPTIONS			
PUNCH RETAINER & INSERT			
Punch Retainer		AOLE00PR	369,56
Slitting Insert		P4AR_A	241,99
STANDARD SLITTING DIE BODY & INSERT			
Slitting Die Body		AOLC00SD	762,41
Slitting Die Insert		DOKP_0	186,98
CLAMP-CLEARING DIE OPTIONS			
"DD" Clamp Clearing		DOAX_0	647,66
"D" Clamp Clearing		DOAU_A	647,66
VERSADIE CLAMP CLEARING DIE OPTIONS			
VersaDie Standard Body		MATE02225	498,15
VersaDie Heavy Duty Body		MATE02608	661,50
VersaDie Insert		D8AR_A	440,10
VersaDie Insert Shim (9)		MATE02339	74,59

*Heavy Duty Punch, Stripper and Slug Free Die must be used together

[Dimensions in Inches (mm)]

Select a **GUIDE** assembly



ORIGINAL STYLE

HEAVY DUTY

Select a **PUNCH** style



Select a **DIE** style

STANDARD SLUG FREE DIES

HEAVY DUTY DIE



DIE SHIM

[Dimensions in Inches (mm)]



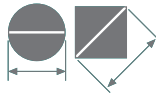


ULTRA XT		Part Number	Price
GUIDE ASSEMBLY			
XT		MATE02070	3561,64
PUNCHES			
Original Style	Round	PAAF0A	596,36
Original Style	Shape	PAAF_A	812,36
Heavy Duty*	Round	PHAF0A	369,56
Heavy Duty*	Shape	PHAF_A	513,34
STRIPPERS PLATE			
Stripper Plate	Round	S6AF0A	114,75
Stripper Plate	Shape	S6AF_A	200,81
SLUG FREE DIES			
Slug Free Die	Round	D0AF00	529,88
Slug Free Die	Shape	D0AF_0	939,60
Heavy Duty*	Round	DHAF00	455,29
Heavy Duty*	Shape	DHAF_0	590,96
DIE SHIMS			
Package of 12 (3 each)			
0.008(0.20)		MSAF	158,96
0.016(0.40)			
0.032(0.80)			
0.048(1.20)			

*Heavy Duty Punch and Slug Free Die must be used together

[Dimensions in Inches (mm)]

ORIGINAL STYLE



Maximum
6.000(152.40)
diameter/diagonal



D/L = Diagonal/Length

Slug Free Die
6.060(153.92) max. D/L
0.768(19.50) max. width



Select a
PUNCH
style

ORIGINAL
STYLE

HEAVY
DUTY



Select a
DIE
style

STANDARD
SLUG FREE DIES

HEAVY DUTY DIE



DIE SHIM

[Dimensions in Inches (mm)]





ORIGINAL STYLE		Part Number	Price
GUIDE ASSEMBLY			
Punch Guide		AGLF1	2933,55
PUNCH SHIMS			
Package of 9 (3 each)			
0.016(0.40)		VSAF	137,03
0.032(0.80)			
0.048(1.20)			
PUNCH BODY			
Original Style	Round	PAAF0A	596,36
Original Style	Shape	PAAF_A	812,36
Heavy Duty*	Round	PHAF0A	596,36
Heavy Duty*	Shape	PHAF_A	812,36
STRIPPERS PLATE			
Stripper Plate	Round	S6AF0A	114,75
Stripper Plate	Shape	S6AF_A	200,81
SLUG FREE DIES			
Slug Free Die	Round	D0AF00	529,88
Slug Free Die	Shape	D0AF_0	939,60
Heavy Duty*	Round	DHAF00	773,55
Heavy Duty*	Shape	DHAF_0	915,98
DIE SHIMS (FOR ORIGINAL STYLE AND VERSADIE)			
Package of 9 (3 each)			
0.016(0.40)		MSAF	158,96
0.032(0.80)			
0.048(1.20)			

*Heavy Duty Punch and Slug Free Die must be used together

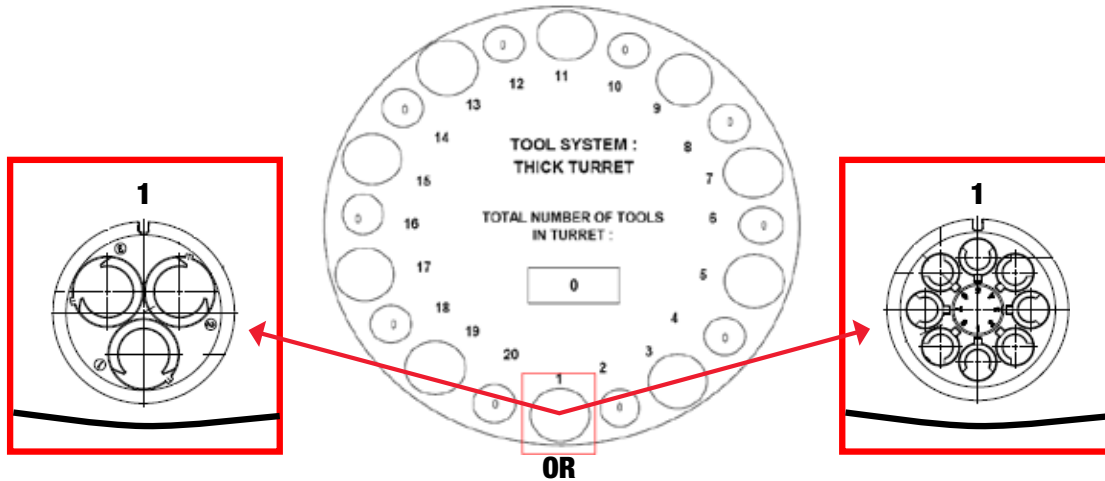
[Dimensions in Inches (mm)]



THE ULTRA FAMILY OF MULTI TOOLS

Ultra and Ultra IMT multi tool assemblies make full use of the advantages of Mate Ultra QCT and Ultra punches, strippers and Slug Free dies. They provide complete compatibility with existing tooling inventory for added convenience. Mate Ultra multi tools fit into 3-1/2" D-Index stations and are available in two versions for maximum flexibility.

A multi tool allows a standard indexing D-Station in a punch press to accept 8 or 3 "mini" stations. By using just one multi tool, your 20 station punch press becomes a 22 or 27 station press, expanding your capacity much more economically than purchasing an additional machine.



MULTI TOOL ADVANTAGES

- Multi Tools add more available stations to a punch press reducing set-up and changeover time
- Multi Tools provide a convenient way to quickly exchange/stage multiple punches, dies, strippers
- Multi Tools can either be dedicated or a drop-in style for an auto-index station
- Drop-in Multi Tools add more indexing stations to a punch press and allow a standard D Station to be used if needed
- Multi Tools can offer constant die penetration through programming adjustments:
 - For the Fixed Station multi tools, punches should be ground to the same length
 - Mate recommends 3mm die penetration on slug-free dies



ULTRA & ULTRA QCT:

Mate Ultra Multi Tools accept Ultra & Ultra QCT punches for exceptional life between regrinds. Strippers are recessed for an additional 0.118(3.00) punch grind life. Slug Free dies eliminate slug pulling and increase part quality.



QUICK TOOL CHANGE:

The twist-lock design of the upper assembly allows tools to be changed in seconds, without the need for additional hand tools, and without the need for disassembly. Faster tool changes optimize machine productivity and efficiency.



INTEGRAL PUNCH LENGTH ADJUSTMENT:

Each punch length can be independently adjusted to ensure the precise punch-to-stripper lead is maintained for optimum punching performance across a wide range of material thickness from 0.020(0.50) to 0.236(6.00).

[Dimensions in Inches (mm)]

8 STATION ULTRA MULTI TOOL

135MM BORE – AUTO INDEX STATION

UPPER:	LOWER:	
MATE00967 8598,49€	MATE00968 2867,06€	Achieved angles: Stations 1, 3, 5, 7: Rounds only Stations 2, 4, 6, 8: 0°, 90°, 225°
	MATE01764 4524,86€	Achieved angles: Station 1, 3, 7: 90° Station 2, 4, 6, 8: 0°, 90°, 225° Station 5: Rounds Only
	for Danobat machines (more slots).	

SPECIFICATIONS:

Punch point range:	0.020(0.80) to 0.618(15.70)
Tooling:	Ultra & Ultra QCT 1/2" A station punches, strippers, and Slug Free dies
Maximum tonnage:	U.S. 6 Tons - 54 kN - 5.4 Metric Tons
Max material thickness:	6mm (.236")



3 STATION ULTRA MULTI TOOL

135MM BORE – AUTO INDEX STATION

UPPER:	LOWER:	
MATE00969 8291,36€	MATE00970 2764,80€	Achieved angles: Each station: 0°, 45°, 90°
	MATE01030 4349,03€	Achieved angles: Station 1, 3: 0°, 90°, Station 2: 0°, 315° for non-indexable machines.
	MATE02371* 4771,24€	Achieved angles: Each station: 0°, 45°, 90° for Ermaksan single head machines with 103 mm slug hole.

* if slug hole is 90mm, use MATE00970

SPECIFICATIONS:

Punch point range:	0.020(.80) to 1.250(31.70)
Tooling:	Ultra & Ultra QCT 1-1/4" B station punches, strippers, and Slug Free dies
Maximum tonnage:	U.S. 12 Tons - 107 kN - 11 Metric Tons
Max material thickness:	6mm (.236")



PATENT INFORMATION:

US 7726554 US 8376215
US 8464928 US 8152052
CA 2664784 CA 2780266
MX 305729 MX306976
MX305727 CN101528427

USAGE NOTES:

Requires compatibility with machine ram and programming software.

Contact your punch press machine supplier for compatibility.

Part numbers for Multi Tool assemblies do not include punches and dies.



3 or 8 Station Hardened Shim

MATE02330
12,49€

[Dimensions in Inches (mm)]

8 STATION FULLY INDEXABLE ULTRA — IMT-8A MULTI TOOL

135MM BORE – AUTO INDEX STATION

The fully indexable Ultra IMT 8-Station multi tool works with Ultra & Ultra QCT A station punch, standard and fully guided strippers and Thick Turret Slug Free dies. The IMT achieves any angle setting for each station, has auto-lubrication with grease grooves, requires no tools for punch removal, and has fully hardened guides.

Ultra IMT 8-Station (not machine specific)

Upper: MATE01840 **10072,35€**
Lower: MATE00050 **2517,08€**

Ultra IMT 8-Station (machine specific uppers & lowers)

Upper Only: MATE02068 **10072,35€** JFY MACHINES
Upper Only: MATE02007 **10072,35€** STRIPPIT* & BAYKAL MACHINES
Lower Only: MATE02060 **3290,63€** DURMA MACHINES

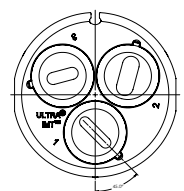
*Not fully Indexable in Strippit machines and only for V, VX, M & E series

SPECIFICATIONS

Punch point range:	.020(.80mm) to .618(15.70mm)
Tooling:	Ultra & Ultra QCT 1/2" A station punches, strippers, and Slug Free dies. 100% Compatible with MXC, MXC ABS, Wilson HP, HP WLS/ABS B station punches.
Maximum tonnage:	U.S. 6 Tons – 54 kN – 5.44 Metric Tons
Max material thickness:	6mm (.236")
Maximum Punch Diagonal:	.618" (15,70 mm)



*Only if machine has side shot pin option added



For Strippit machines at punching station, keying is at 45°

3 STATION FULLY INDEXABLE ULTRA — IMT-3B MULTI TOOL

135MM BORE – AUTO INDEX STATION

The fully indexable Ultra IMT 3-Station multi tool works with Ultra & Ultra QCT A station punch, standard and fully guided strippers and Thick Turret Slug Free dies. The IMT achieves any angle setting for each station, has auto-lubrication with grease grooves, requires no tools for punch removal, and has fully hardened guides.

Ultra IMT 3-Station (not machine specific)

Upper: MATE01850 **9658,58€**
Lower: MATE00697 **2414,48€**

Ultra IMT 3-Station (machine specific uppers & lowers)

Upper Only: MATE02069 **9658,58€** JFY MACHINES
Upper Only: MATE02010 **9658,58€** STRIPPIT* & BAYKAL MACHINES
Lower Only: MATE02058 **3290,63€** DURMA MACHINES

*Not fully Indexable in Strippit machines and only for V, VX, M & E series

SPECIFICATIONS

Punch point range:	.020(.80mm) to 1.250(31.75mm)
Tooling:	Ultra & Ultra QCT 1-1/4" B station punches, strippers, and Slug Free dies. 100% Compatible with MXC, MXC ABS, Wilson HP, HP WLS/ABS B station punches.
Maximum tonnage:	U.S. 12 Tons – 107kN – 11 Metric Tons
Max material thickness:	6mm (.236")
Maximum Punch Diagonal:	1.250" (31,75 mm)



*Only if machine has side shot pin option added

PATENT INFORMATION:

US 7726554 US 8376215
US 8464928 US 8152052
CA 2664784 CA 2780266
MX 305729 MX306976
MX305727 CN101528427

USAGE NOTES:

Requires compatibility with machine ram and programming software.
Contact your punch press machine supplier for compatibility.
Part numbers for Multi Tool assemblies do not include punches and dies.



3 or 8 Station Hardened Shim

MATE02330 12,49€

[Dimensions in Inches (mm)]



8 STATION FULLY INDEXABLE ULTRA IMT — IMT-8A MULTI TOOL

135MM BORE – AUTO INDEX STATION

The fully indexable Ultra IMT 8-Station multi tool works with Ultra & Ultra QCT A station punch, strippers and Thick Turret Slug Free dies up to a maximum punch diagonal of .618" (15,70 mm). The multi tool can achieve any angle setting on the work piece.

Ultra IMT 8-Station

Upper: MATE02928 **10072,35€**
Lower: MATE00050 **2517,08€**

SPECIFICATIONS

Punch point range:	.80mm (0.020") to 15.70mm (0.618")
Tooling:	Ultra & Ultra QCT 1/2" A station punches, strippers, and Slug Free dies. 100% Compatible with MXC, MXC ABS, Wilson HP, HP WLS/ABS B station punches.
Maximum tonnage:	U.S. 6 Tons – 54 kN – 5.44 Metric Tons
Max material thickness:	6mm (.236")



3 STATION FULLY INDEXABLE ULTRA IMT — IMT-3B MULTI TOOL

135MM BORE – AUTO INDEX STATION

The fully indexable Ultra IMT 3-Station multi tool works with Ultra & Ultra QCT B Station punch, strippers and Thick Turret Slug Free dies up to a maximum punch diagonal of 1.250" (31,75 mm). The multi tool can achieve any angle setting on the work piece.

Ultra IMT 3-Station

Upper: MATE02931 **9658,58€**
Lower: MATE00697 **2414,48€**

SPECIFICATIONS

Punch point range:	.80mm (0.020") to 31.75mm (1.250")
Tooling:	Ultra & Ultra QCT 1-1/4" B station punches, strippers, and Slug Free dies. 100% Compatible with MXC, MXC ABS, Wilson HP, HP WLS/ABS B station punches.
Maximum tonnage:	U.S. 12 Tons – 107kN – 11 Metric Tons
Max material thickness:	6mm (.236")



PATENT INFORMATION:

US 7726554 US 8376215
US 8464928 US 8152052
CA 2664784 CA 2780266
MX 305729 MX306976
MX305727 CN101528427

USAGE NOTES:

Requires compatibility with machine ram and programming software.
Contact your punch press machine supplier for compatibility.
Part numbers for Multi Tool assemblies do not include punches and dies.



**3 or 8 Station
Hardened Shim**

MATE02330 12,49€

[Dimensions in Inches (mm)]

Mate offers a comprehensive range of thick turret forming solutions designed to accommodate any forming application in your thick turret punch press. Use the chart below to help you decide the forming solution that's best for you.

ULTRAFORM FORMING SYSTEM

ONE HOLDER – MULTIPLE APPLICATIONS

The Ultraform holder system is designed to allow an unlimited number of forming tools to be used with the same holder, which reduces tooling inventory costs.

ADJUSTMENT BELOW THE SHOULDER

The length adjustment is made below the shoulder of the assembly, thus maintaining the gap between the ram and the tool at top of stroke to prevent the ram from hitting the tool.

HARDENED GUIDES

The hardened guides, combined with the lubrication grooves, reduce friction and extend turret bore life.

TOOL LUBRICATION:

ULTRAFORM holders provide external grease grooves to allow lubrication of forming tools. ULTRAFORM is compatible with all popular punch press machine tool lubrication systems.

MULTIPLE ANGLE SETTINGS

All Ultraform holders can be set at 0, 90, 180 and 270 degrees as a standard, for maximum flexibility.

ECONOMICALLY INTERCHANGABLE

All ULTRAFORM inserts for ULTRAFORM, ULTRAFORM XT and ULTRAFORM FX holders are completely interchangeable, further enhancing your economies of scale.



ORIGINAL STYLE FORMING

Mate's Original Style forming tools feature adjustable length holders for 1-1/4" B stations. Original Style forming tools are designed for specific applications and machines. Eight specific form types are available. Ideal for hydraulic punch presses with programmable penetration control.

← MORE ***** **** ** *	LESS →	Ultraform®	Ultraform XT™	Ultraform FX™ ¹	Original Style
Overall Value: The combination of standard features, purchase price and operating costs.		****	***	***	**
Cost Savings: The ongoing cost savings of operating the system over an extended period of time.		****	***	***	*
Ease of Use and Set-Up: Design features that make it faster to install, easier for the operator to set up and more convenient to maintain.		****	***	****	**
Interchangeability: The ability to use the form with other Mate forming holders.		****	****	****	*
Durability/Longevity: Hardened guides and ability to transfer machine lubrication.		****	**	**	**
Purchase Price: The <i>initial</i> purchase price of the system.		****	***	**	*

1. Machine requires precise stroke control without the use of a bottom stroke feature. Tool length adjustment is not possible. Contact your Mate representative for details.

[Dimensions in Inches (mm)]



THE ULTRAFORM CONCEPT

One adjustable length holder can be used with a variety of special forming inserts. The benefits include reduced tooling cost, increased flexibility, and the length of the assembly can be accurately pre-set.

QUICK LENGTH ADJUSTMENT

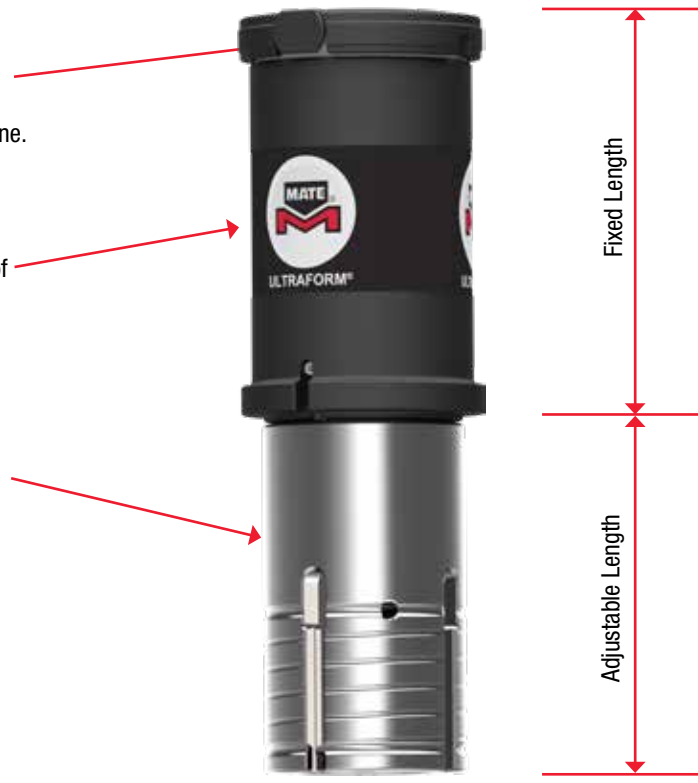
The push-button length adjustment mechanism allows the overall length of the assembly to be set in 0.002(0.05) increments, without disassembly or removal from the machine.

FIXED LENGTH

Between the shoulder and the punch head. Eliminates risk of over penetration that may damage the turret.

ADJUSTABLE LENGTH

Between the shoulder and the tip of the forming tool, for precise form height adjustment.



ULTRAFORM		Part Number	Price
QUICK ADJUST HOLDER			
B Station	AFKB2		556,20
C Station	AFKC2		578,48
D Station	AFKD2		715,50
E Station	AFKE2		795,83

[Dimensions in Inches (mm)]

ULTRAFORM XT is for situations where you desire flexibility but adjust tool length infrequently. ULTRAFORM XT lets you change forms efficiently, quickly and economically.

LENGTH ADJUSTMENT:

Adjust the overall length of the assembly by simply loosening screws and turning the punch head to the desired length.

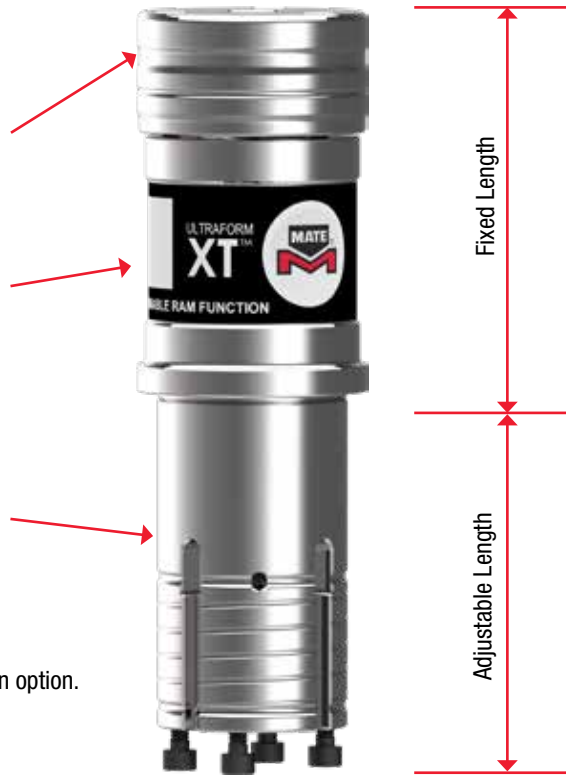
FIXED LENGTH

Between the shoulder and the punch head. Eliminates risk of over penetration that may damage the turret.

ADJUSTABLE LENGTH

Between the shoulder and the tip of the forming tool for precise form height adjustment.

NOTE: Machine lubrication system compatibility available as an option.



ULTRAFORM XT

	Part Number	Price
ADJUSTABLE HOLDER		
B Station	MATE01755	332,10
C Station	MATE01821	408,38
D Station	MATE01824	498,15
E Station	MATE01827	597,71

[Dimensions in Inches (mm)]



You want forming flexibility, but your machine has precision stroke control. Mate's solution: ULTRAFORM FX™, a fixed length forming tool that still provides you with the efficiency you desire. The grooved guides enhance lubrication and feature multiple angle settings for maximum flexibility.

FIXED LENGTH

ULTRAFORM FX holders are designed for machines with precision stroke control eliminating the need for length adjustment.

NOTE: Machine lubrication system compatibility available as an option.



ULTRAFORM FX

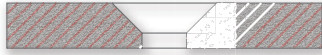
Part Number	Price
-------------	-------

FIXED LENGTH HOLDER

B Station	MATE01798	246,38
C Station	MATE01800	340,54
D Station	MATE01802	423,56
E Station	MATE01804	511,99

[Dimensions in Inches (mm)]

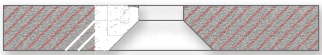
Combine the economy of original style thick turret tooling, with the convenience of integrated tool body construction, and the simplicity of the hexagon shaped punch head. Ideal for hydraulic punch presses with programmable ram control.



DEDICATED COUNTERSINK DOWN

Complete Assembly with blank die
Replacement Countersink Tip

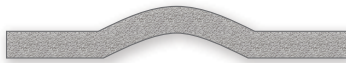
XAABD0B399
XAABD0B316



DEDICATED COUNTERSINK UP

Complete Assembly with non-spring loaded lower

XAABD0B199



ROUND EMBOSS WITH DOME TOP

Complete Assembly with spring loaded lower

XAABD0E099



ROUND EMBOSS WITH FLAT TOP

Complete Assembly with spring loaded lower

XAABD0E199



ROUND EMBOSSED COUNTERSINK UP

Complete Assembly with spring loaded lower

XAABD0E999



ROUND EXTRUDE UP

Complete Assembly with spring loaded lower
Replacement Lower Insert

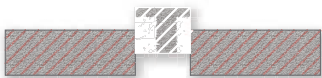
XAABD0D199
XAABD0D104



SINGLE ROUND KNOCKOUT UP

Complete Assembly with spring loaded lower

XAABD0K199



SHEAR BUTTON UP

Complete Assembly with spring loaded lower
Replacement Lower Insert

XAABD0S199
XAABD0S104

All 1-1/4" B station original style forming tools are designed to your specific material type, thickness, and machine model requirements. Interchangeability between machines is not recommended due to the variations in the shut height between different machines. For fully adjustable and interchangeable forming tools, we recommend the Mate Ultraform forming tool system.

[Dimensions in Inches (mm)]



AMX — ABS/AIR BLOW SYSTEM TOOLING

AMX ABS Tooling is a superior replacement alternative to AMADA tooling. AMX Tooling provides 100% worry-free compatability with AMADA® Air Blow System (ABS) assemblies and holders. PLUS, you have the flexibility of using AMX punches with Mate's Ultra Tooling System.

Mate's AMX QCT tooling provides all of the advantages of the QCT system for AMADA® ABS. It delivers the flexibility of using the AMX QCT system with Mate's AMX guides, spring packs and Rapidset canisters, as well as Amada NCT, NEX and Z-Tooling air blow systems.

Mate incorporated advanced metallurgy and lubrication delivery systems to prevent galling, slivering, and slug pulling. As with all Mate products, AMX is backed by Best-In-Class service and our 100% Customer Satisfaction Guarantee.

AMX PUNCHES

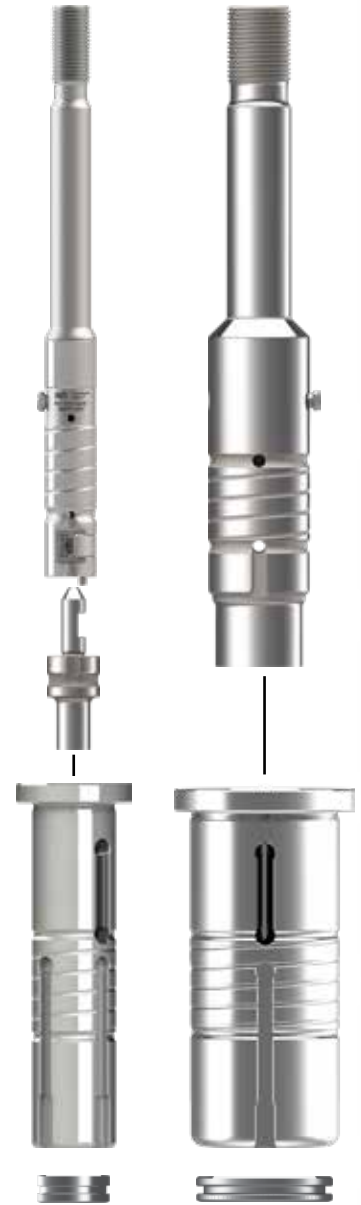
- M2 High Speed Steel - OEM equivalent. Superior to other after-market replacements, M2 lasts longer between regrinds
- Precision gun drilled ABS channels on A and B-station punches
- Standard external spiral lubrication grooves on A & B-station punches ensures uniform fluid flow for friction free punch-to-guide operation
- 1/4 degree total back taper reduces galling
- Hardened pin for precise orientation of punches for improved piece part quality
- Maxima coating treatment available for special application needs
- Compatible with Ultra and Ultra Fully Guided systems

AMX A AND B-STATION STRIPPER GUIDES

- Stripper opening incorporates blips for ABS compatibility
- Fully hardened and ground for maximum precision and long life
- Two styles:
 - Rounds, with internal keyway
 - Shapes, with multiple precision keyways
- Stripper relieved to allow 0.118(3,00) extra grind life
- Rounded edges to minimize sheet marking

AMX C, D, AND E STRIPPERS

- Relieved to allow 0.078(2,00) extra grind life
- Rounded edges to minimize sheet marking
- Blips around stripper opening for ABS functionality



A STATION
AVAILABLE IN
AMX & AMX QCT
(AMX QCT SHOWN)

B STATION
AVAILABLE IN
AMX & AMX QCT
(AMX SHOWN)



C STATION
PUNCH



D STATION
PUNCH



E STATION
PUNCH

STANDARD SHAPES (NUMBERING INDICATES SHAPE CODE):

rectangle	square	quad "D"	round	hexagon	octagon	oval	single "D"	double "D"	triangle	diamond
1	3	A05	0	N	P	2	4	5	C08	C07

[Dimensions in Inches (mm)]

OTHER TOOLING STYLES



**SLITTING COMPONENTS**

	Part Number	Price
PUNCH RETAINER		
D Station	MATE01988	434,36
E Station	MATE01990	460,69
INSERTS WITH M4 MATERIAL		
D Station	P4AQ_A	186,98
E Station	P4AR_A	241,99

PUNCHES/STRIPPERS

		Part Number	Price
A STATION			
AMX QCT Punch Driver	Round	MATE02553	241,99
AMX QCT Punch Driver	Shape	MATE02551	276,75
QCT Punch Insert	Round	PAQA0A	49,95
QCT Punch Insert	Shape	PAQA_A	80,33
Standard AMX	Round	PMXA0A	75,94
Standard AMX	Shape	PMXA_A	137,03
A STATION STRIPPER GUIDE			
	Round	SMXA0A	124,54
	Shape	SMXA_A	210,26
B STATION			
AMX QCT Punch Driver	Round	MATE02554	323,66
AMX QCT Punch Driver	Shape	MATE02552	376,31
QCT Punch Insert	Round	PAQB0A	71,89
QCT Punch Insert	Shape	PAQB_A	119,14
Standard AMX	Round	PMXB0A	110,70
Standard AMX	Shape	PMXB_A	175,84
B STATION STRIPPER GUIDE			
	Round	SMXB0A	146,81
	Shape	SMXB_A	229,84
C STATION			
	Round	PMXC0A	236,59
	Shape	PMXC_A	340,54
C STATION STRIPPER GUIDE			
	Round	SMXC0A	73,24
	Shape	SMXC_A	91,46
D STATION			
	Round	PMXD0A	332,10
	Shape	PMXD_A	489,71
D STATION STRIPPER GUIDE			
	Round	SMXD0A	91,46
	Shape	SMXD_A	129,94
E STATION			
	Round	PMXE0A	453,94
	Shape	PMXE_A	618,64
E STATION STRIPPER GUIDE			
	Round	SMXE0A	124,54
	Shape	SMXE_A	178,54

[Dimensions in Inches (mm)]

Mate's MXC™ Tooling System (available in standard MXC and MXC QCT) is a thick turret replacement system for Wilson HP™ and Series 90™ tooling systems. These high-precision products increase tool performance and flexibility, offer extended tool life and are interchangeable with other systems. The drivers are 100% compatible with and are available in both Standard and (for HP WLS® style) ABS versions.

Some features of the MXC system include:

- DuraSteel™ punches
- 100% Compatible with:
 - HP™
 - HP™ WLS
 - HP™ ABS
- Compatible with:
 - Ultra
 - Ultra XT™
- Slug Free die design

MXC STANDARD PUNCH AND MXC QCT PUNCH DRIVER

- DuraSteel™ with superior hardness and toughness for extended interval between regrinds.
- Hardened double-D key for precise orientation of punches for improved piece part quality.
- 1/4 degree back taper and near polished punch flanks to reduce friction, eliminate galling, and maximize punch life.
- Maxima™ coating available to reduce friction in extreme applications. Less friction means less heat build up, less galling and longer tool life.

Option: M4PM™ steel available for superior performance and longevity.

MXC QCT PUNCH INSERT

- M4PM™ steel standard for superior performance and longevity.

STRIPPER

- Smooth rounded edges to eliminate sheet marking and improve piece part quality.
- Compatible with existing conventional tooling inventory for maximum flexibility.

SLUG FREE DIE

- Slug Free die geometry eliminates slug pulling to improve piece part quality and increase tool life.
- Highly wear-resistant tool steel provides optimum balance between hardness and toughness, for extended life.

MXC QCT A STATION DRIVER:

Wilson's HP/Series 90 A station product design uses a slightly narrower diameter than all other thick turret systems. This means the standard QCT A Station punch insert cannot be used with the MXC QCT driver. The MXC QCT A station driver requires a unique QCT punch insert (PXQA), which are etched MXC QCT on the side of the insert to assist in identification.

- DuraSteel with superior hardness and toughness for extended interval between regrinds.
- Hardened pin for precise orientation of punches for improved piece part quality.

- 1/4 degree back taper and near polished punch flanks to reduce friction, eliminate galling, and maximize punch life.
- Maxima™ coating available for extreme applications.

- Smooth rounded edges to eliminate sheet marking and improve piece part quality.

- Compatible with existing HP (Series 90) tooling inventory for maximum flexibility.

- Slug Free die geometry eliminates slug pulling to improve piece part quality and increase tool life.

- Highly wear-resistant tool steel provides optimum balance between hardness and toughness, for extended life.

STANDARD SHAPES (NUMBERING INDICATES SHAPE CODE):



[Dimensions in Inches (mm)]





STANDARD MXC



ABS STYLE

**MXC A & B STATION**

Part Number Price

PUNCH

A STATION Punch	Round	PXCA0A	59,40
A STATION Punch	Shape	PXCA_A	123,19
B STATION Punch	Round	PXCB0A	92,81
B STATION Punch	Shape	PXCB_A	157,61
B STATION Anti-Rotation Pin		MATE00752	6,41
B STATION Retaining Ring		RRI00010	1,01

MXC PUNCH - ABS STYLE*

A STATION Punch	Round	PLCA0A	59,40
A STATION Punch	Shape	PLCA_A	123,19
B STATION Punch	Round	PLCB0A	92,81
B STATION Punch	Shape	PLCB_A	157,61
B STATION Anti-Rotation Pin		MATE00752	6,41
B STATION Retaining Ring		RRI00010	1,01
B STATION Felt Pad***		FLT00001	1,01

MXC STRIPPER

A STATION	Round	SXCA0A	17,89
A STATION	Shape	SXCA_A	34,43
B STATION	Round	SXCB0A	17,89
B STATION	Shape	SXCB_A	45,56
B STATION Retaining Ring**		MATE00754	8,10

SLUG FREE DIE

A STATION	Round	DOAA00	31,73
A STATION	Shape	DOAA_0	69,19
B STATION	Round	DOAB00	31,73
B STATION	Shape	DOAB_0	80,33

SLUG FREE LIGHT DIE

A STATION	Round	add	16,20
A STATION	Shape	add	2,70
B STATION	Round	add	18,90
B STATION	Shape	add	5,40

DIE SHIMS

A STATION package of 12 (3 each)			
0.008(0.20), 0.016(0.40), 0.032(0.80), 0.048(1.20)		MSAA	19,24
B STATION package of 12 (3 each)			
0.008(0.20), 0.016(0.40), 0.032(0.80), 0.048(1.20)		MSAB	22,28

* ABS Style also works in WLS environment

** Stripper retaining ring not included with stripper

*** Add felt pad (not included with punch) to ABS style punch to work in WLS environment

MXC™ ABS B-station punches are compatible with Wilson Fully Indexable R series 3 station MT for Finn-Power

[Dimensions in Inches (mm)]

MXC QCT™

MXC QCT™ ABS



C STATION



D STATION

MXC QCT™ A & B STATION

		Part Number	Price
PUNCH DRIVERS			
A STATION MXC QCT	Round	MATE02545	143,78
A STATION MXC QCT	Shape	MATE02546	143,78
A STATION MXC QCT ABS	Round	MATE02543	143,78
A STATION MXC QCT ABS	Shape	MATE02544	143,78
B STATION MXC QCT	Round	MATE02524	182,59
B STATION MXC QCT	Shape	MATE02525	182,59
B STATION MXC QCT ABS	Round	MATE02568	182,59
B STATION MXC QCT ABS	Shape	MATE02526	182,59

MXC QCT INSERTS

A STATION MXC QCT Punch	Round	PXQA0A	49,95
A STATION MXC QCT Punch	Shape	PXQA_A	80,33
B STATION MXC QCT Punch	Round	PAQBOA	71,89
B STATION MXC QCT Punch	Shape	PAQB_A	119,14

MXC C & D STATION

		Part Number	Price
PUNCH			
C STATION Punch	Round	PXCC0A	114,75
C STATION Punch	Shape	PXCC_A	189,68
C STATION Ultra Adapter		A0VCWSPA	202,16
D STATION Punch	Round	PXCDOA	177,19
D STATION Punch	Shape	PXCD_A	274,05
D STATION CLAMP CLEARING PUNCH		PXCW	250,43
D STATION Ultra Adapter		A0VDWSPA	220,05

MXC STRIPPER

C STATION	Round	SXCC0A	46,91
C STATION	Shape	SXCC_A	66,49
D STATION	Round	SXCDOA	65,14
D STATION	Shape	SXCD_A	105,30

SLUG FREE DIE

C STATION	Round	DOAA00	105,30
C STATION	Shape	DOAA_0	220,05
D STATION	Round	DOAB00	157,61
D STATION	Shape	DOAB_0	297,34

SLUG FREE LIGHT DIE

C STATION	Round	add	21,60
C STATION	Shape	add	8,10
D STATION	Round	add	24,30
D STATION	Shape	add	10,80

DIE SHIMS

C STATION package of 9 (3 each)		
0.016(0.40), 0.032(0.80), 0.048(1.20)	MSAC	24,98
D STATION package of 9 (3 each)		
0.016(0.40), 0.032(0.80), 0.048(1.20)	MSAD	26,33

[Dimensions in Inches (mm)]

MXC SLITTING™ tooling provides 100% compatibility with Wilson DuraBlade® D and E-Station assemblies and holders. Mate incorporated its advanced M4PM™ metallurgy for superior wear resistance. As with all Mate products, MXC Slitting is backed by Mate's Best-In-Class service and our 100% Customer Satisfaction Guarantee.

MXC SLITTING™ D & E-STATION PUNCH INSERTS

- Punch Inserts provide 100% compatibility with Wilson DuraBlade® systems.
- Standard M4PM™ High Speed Particle Metallurgy Steel – Offers superior resistance to adhesive and abrasive wear to maximize the interval between regrinds.
- 1/4-degree total back taper reduces galling.
- Hardened pin for precise orientation of punches for improved piece part quality.
- SuperMax™ and Maxima™ coatings available for special application needs.

MXC SLITTING™ D AND E-STATION STRIPPERS

- Available for D and E-station punches.
- Fully hardened and ground for maximum precision and long life.
- Rounded edges to minimize sheet marking.



MXC SLITTING D & E STATION

	Part Number	Price
PUNCH SLITTING INSERT		
D STATION Punch	PDCE_A	346,95
E STATION Punch	PDCE_A	411,75
MXC SLITTING STRIPPER		
D STATION	SDCE_A	284,85
E STATION	SDCE_A	337,50



MXC E STATION

		Part Number	Price
PUNCH			
E STATION Punch	Round	PXCE0A	265,61
E STATION Punch	Shape	PXCE_A	399,94
E STATION CLAMP CLEARING PUNCH		PXCX	365,18
E STATION Ultra Adapter		AOVEWSPA	247,73
MXC STRIPPER			
E STATION	Round	SXCE0A	103,95
E STATION	Shape	SXCE_A	160,65
SLUG FREE DIE			
E STATION	Round	DOAE00	265,61
E STATION	Shape	DOAE_0	469,13
SLUG FREE LIGHT DIE			
E STATION	Round	add	27,00
E STATION	Shape	add	13,50
DIE SHIMS			
E STATION package of 9 (3 each)			
0.016(0.40), 0.032(0.80), 0.048(1.20)		MSAE	30,38

[Dimensions in Inches (mm)]

SMALL DIAMETER ROUND TOOLS		
Point diameter 0.031(0.79) - 0.061(1.55) - to punch, stripper and die	add 25%	
Point diameter 0.062(1.56) - 0.092(2.35) - to punch, stripper and die	add 10%	
NARROW WIDTH SHAPED TOOLS		
Width is less than 0.079(2.00) - to punch, stripper and die	add 25%	
ANGLE SETTING		
Non-Standard Angle Setting - to punch, stripper and die	add 25%	
COATINGS	SUPERMAX™	MAXIMA™
1/2" A Station	35,10€	22,95€
1-1/4" B Station	67,50€	44,55€
2" C Station	89,10€	59,40€
3-1/2" D Station	112,05€	74,25€
4-1/2" E Station	133,65€	89,10€

MXC™ THICK TURRET TOOLING SYSTEM PARTS & ACCESSORIES



1-1/4" B Station Punch Retaining Ring
RR100010
1,01€
Replacement Part



1-1/4" B Station Punch Anti Rotation Pin
MATE00752
6,41€
Replacement Part



1-1/4" B Station Punch Felt Pad
FLT00001
1,01€
To convert ABS punch to WLS style



1-1/4" B Station Stripper Retaining Ring
MATE00754
8,10€
Replacement Part



Round Punches Only Anti-rotation Clip
AOVBWBAC
12,49€



2" C Station HP™ Punch Adapter
A0VCWSPA
202,16€



3-1/2" D Station HP™ Punch Adapter
A0VDWSPA
220,05€



4-1/2" E Station HP™ Punch Adapter
A0VEWSPA
247,73€

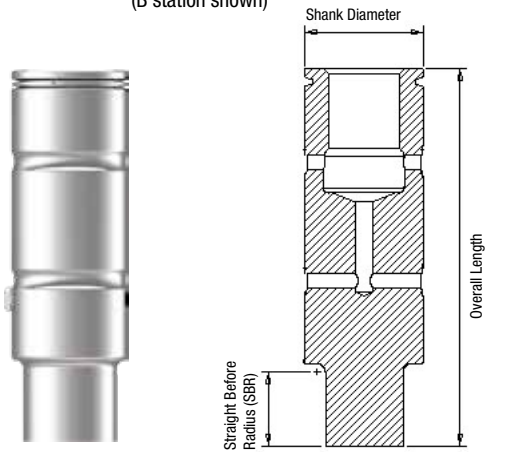
These Punch Adapters allow an HP™ and/or MXC™ punch to be used in an Original Style Thick Turret, Ultra or Ultra ABS holder.

HP™ is a trademark of Wilson Tool International, Inc.

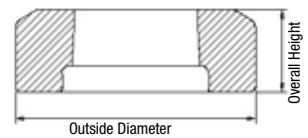
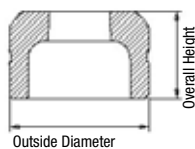
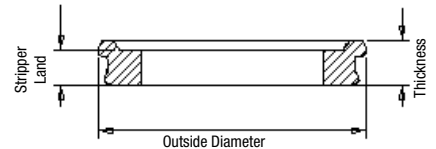
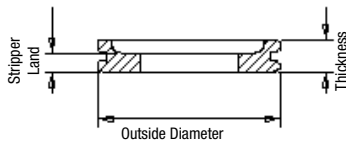
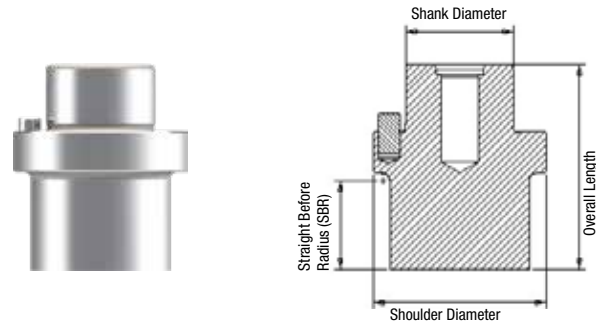
[Dimensions in Inches (mm)]

MXC™ PUNCH					
Station	1/2" A	1-1/4" B	2" C	3-1/2" D	4-1/2" E
Part Number	PXCA or PLCA	PXCB or PLCB	PXCC	PXCD	PXCE
Maximum Punch Diagonal	0.500(12.70)	1.250(31.75)	2.000(50.80)	3.500(88.90)	4.500(114.30)
Overall Length	4.640(117.86)	3.957(100.51)	2.360(59.94)	2.360(59.94)	2.360(59.94)
Shank Diameter	0.624(15.85)	1.249(31.72)	1.250(31.75)	1.250(31.75)	1.250(31.75)
Shoulder Diameter	n/a	n/a	2.000(50.80)	3.500(88.90)	4.500(114.30)
Straight Before Radius	0.740(18.80)	0.740(18.80)	1.004(25.50)	1.004(25.50)	1.004(25.50)
MXC™ STRIPPER					
Part Number	SXCA	SXCB	SXCC	SXCD	SXCE
Outside Diameter	0.768(19.51)	1.497(38.02)	2.356(59.84)	4.011(101.88)	4.866(123.60)
Thickness	0.272(6.91)	0.272(6.91)	0.390(9.91)	0.390(9.91)	0.390(9.91)
Stripper Land	0.157(3.99)	0.157(3.99)	0.315(8.00)	0.315(8.00)	0.315(8.00)
Slug Free and Slug Free LIGHT™ DIES					
Part Number	DOAA	DOAB	DOAC	DOAD	DOAE
Outside Diameter	1.000(25.40)	1.875(47.63)	3.500(88.90)	4.938(125.43)	6.249(158.72)
Overall Height	1.187(30.15)	1.187(30.15)	1.187(30.15)	1.187(30.15)	1.187(30.15)
Die Penetration	0.118(3.00)	0.118(3.00)	0.118(3.00)	0.118(3.00)	0.118(3.00)

For 1/2" A and
1-1/4" B Station
(B station shown)



For 2" C, 3-1/2" D
and 4-1/2" E Station
(C station shown)



[Dimensions in Inches (mm)]

Inch Style tooling is designed with features to enhance punching performance, including:

- Premium High Speed Steel which is specially formulated to deliver superior abrasion resistance to extend the interval between regrinds.
- Near polished punch flanks with a 1/4 degree back taper to minimize friction, eliminate galling during stripping and improve piece part quality.
- Minute corner radii to eliminate chipping and extend punch life.
- Superior angularity and concentricity for improved hole quality.
- Thread size clearly marked for ease of use.
- Maxima™ coating available.



1/2" A STATION

Maximum Diagonal
0.500(12.70)

Round **PAJA0A** 44,21€
Shaped **PAJA_A** 98,21€

Heavy Duty
Round **PHJA0A** 49,95€
Shaped **PHJA_A** 129,94€

Replacement Clip
MATE02094 3,38€



1-1/4" B STATION

Maximum Diagonal
1.250(31.75)

Round **PAJB0A** 75,94€
Shaped **PAJB_A** 146,81€

Heavy Duty
Round **PHJB0A** 102,26€
Shaped **PHJB_A** 188,33€



2" C STATION

Maximum Diagonal
2.000(50.80)

Round **PAJCOA** 117,45€
Shaped **PAJC_A** 203,51€

HeavyDuty
Round **PHJCOA** 157,61€
Shaped **PHJC_A** 264,26€



3-1/2" D STATION

Maximum Diagonal
3.500(88.90)

Round **PAJDOA** 175,84€
Shaped **PAJD_A** 290,59€

HeavyDuty
Round **PHJDOA** 232,54€
Shaped **PHJD_A** 376,31€



4-1/2" E STATION

Maximum Diagonal
4.500(114.30)

Round **PAJE0A** 295,99€
Shaped **PAJE_A** 419,18€

HeavyDuty
Round **PHJE0A** 391,50€
Shaped **PHJE_A** 539,66€

Fully Compatible with Wilson Inch Style

STANDARD SHAPES (NUMBERING INDICATES SHAPE CODE):



[Dimensions in Inches (mm)]

Mate Eliminator (patents pending) punch tip lubrication pads assist in keeping the punch tip lubricated during the punching process.

Studies have shown that properly lubricated punch tips help extend tool life and keep the punch from overheating. In many situations, lubrication helps eliminate unwanted galling during the punching process.

Mate Eliminator lubrication pads are easy to install, especially on Mate Ultra A and B stations. Simply use the punch and stripper to "punch" the hole into the foam. Saturate the pad with 46-68 ISO viscosity hydraulic oil and you're ready for gall-free punching.

MATE ELIMINATOR LUBRICATION PADS:

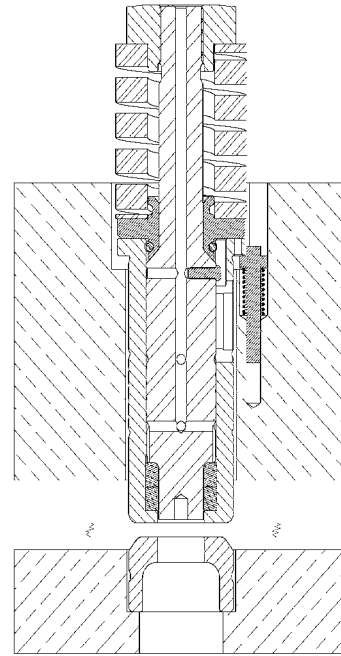
Made from polyether filter foam

Available in A through E stations

Compatible with all thick turret punch presses

Made in U.S.A.

STATION	PART NUMBER	PRICE
A station, qty of 5	MATE02028	34,43
B station, qty of 5	MATE02029	40,16
C station, qty of 5	MATE02030	58,05
D station, qty of 4	MATE02031	63,79
E station, qty of 4	MATE02032	66,49



[Dimensions in Inches (mm)]

The Mate Pilot Turret Calibration System is the most accurate system for ensuring precision concentric and angular alignment of thick turret punch press stations available. The Mate Pilot Turret Calibration System operates in two modes:

- **Verification Mode** – Confirm the precise concentric and angular alignment of your turret to maintain high quality piece part production and maximum tool life.
- **Alignment Mode** – Restore the concentric and angular alignment of each station with the same or better precision as the initial machine installation.



THE MATE PILOT™ TURRET CALIBRATION SYSTEM IS SIMPLY THE BEST SYSTEM AVAILABLE.

Accurate:

Each calibration instrument is machined from a single piece of high quality tool steel. The upper and lower halves are separated near the end of the production process, just prior to installation of the hardware. This eliminates the possibility of cumulative tolerances adversely affecting the accuracy of the finished instrument.

Simple to Use:

Install the two halves of the calibration instrument into the turret station to be aligned. Rotate turret to position the station to be aligned under the machine ram. Use the integral adjustment handle to draw the two halves of the calibration instrument together.

The interlocking design of the interface between the two halves causes the loosened die holder assembly to be drawn into concentric and angular alignment relative to the upper bore as the two halves of the calibration instrument engage.

The tri-color light indicates alignment.

- Engaged, but not aligned
- Angularity and concentricity within 0.0012(0.030)
- Angularity and concentricity within 0.0003(0.008)*



Comprehensive:

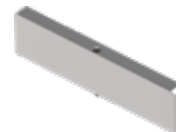
The Mate Pilot Calibration System is available in all five thick turret station sizes and is also available to suit the Prima-Power Multi-Tool stations. The Mate Pilot Calibration System is available as a set to suit thick turret presses.

Station	Part Number		Package A	Package F
1/2" A	MATE00670	918,68€	•	
1-1/4" B	MATE00666	1411,43€	•	•
2" C	MATE00667	1594,01€	•	•
3-1/2" D	MATE00668	1775,25€	•	•
4-1/2" E	MATE00669	1993,95€	•	•
Multi-Tool	MATE00671	1831,95€		•
Accessory Kit	MATE00662	203,51€	•	•
			MATE00665	MATE00672
			8035,54€	6815,14€

MATE THICK TURRET LINE UP TOOL ALIGNMENT BAR UPGRADE.

The upgraded bar is larger and easier to use. It allows for easier access for the alignment process.

Line Up Tool Bar **MATE02227** 311,18€



*Angularity and concentricity within 0.0003(0.008) - Green Indicator Light - is recommended when punching materials with a thicknesses of 0.048(1.20) or less.

[Dimensions in Inches (mm)]

THICK TURRET AND ULTRA ADAPTERS

		1-1/4" to 1/2" B to A Station Punch Guide Adapter APLG00AD 374,96			2" to 1-1/4" C to B Station Punch Guide Adapter APLH00AD 567,34
		1-1/4" to 1/2" B to A Station Die Adapter ADLG00AD 239,29			2" to 1-1/4" C to B Station Die Adapter ADLH00AD 477,23
		3-1/2" to 1-1/4" D to B Station Punch Guide Adapter APLK00AD 1185,98			3-1/2" to 2" D to C Station Punch Guide Adapter APLJ00AD 994,95
		3-1/2" to 1-1/4" D to B Station Die Adapter* ADLK00AD 761,06			3-1/2" to 2" D to C Station Die Adapter* ADLJ00AD 583,88
		4-1/2" to 1-1/4" E to B Station Punch Guide Adapter APLM00AD 1365,86			4-1/2" to 2" E to C Station Punch Guide Adapter APLL00AD 1047,60
		4-1/2" to 1-1/4" E to B Station Die Adapter ADLM00AD 823,50			4-1/2" to 2" E to C Station Die Adapter ADLL00AD 660,15

*Use this table to select the appropriate die adapter for use in the Prima Power upforming station.
When using a die adapter in an upforming station, the press upper ram stroke may need to be reduced by 0.079(2.00).

	Non-Indexable Upform Station				Indexable Upform Station			
	Piercing		Forming		Piercing		Forming	
3-1/2" D to 1-1/4" B	MATE00727	802,58	MATE00725	802,58	MATE00727	802,58	MATE00725	802,58
3-1/2" D to 2" C	MATE00721	759,71	ADLJFUAD	536,96	MATE00721	759,71	MATE00723	841,39

[Dimensions in Inches (mm)]



ULTRA SYSTEM ANTI-ROTATION CLAMPS FOR ROUND PUNCHES



1/2" A Station
Original Style Round Punch
Anti-Rotation Clamp

AOVAASAC 17,89



1-1/4" B Station
Original Style Round Punch
Anti-Rotation Clamp

AOVBASAC 31,73



1-1/4" B Station HP (Series 90)
Style Punch with hook ring
Anti-Rotation Clip

AOVBWBAC 12,49**



1-1/4" B Station Punch
Length Adjustment Clamp
HP (Series 90) Driver Assembly

AOVBWGAC* 17,89**



Ultra B Station Anti-Rotation Clip
For Wilson HP Double D Canister

AOVBWHAC* 17,89**



Ultra B Station Anti-Rotation Clip
For Wilson HP2 Canister Assembly

AOVBWKAC* 17,89**

SOFT FACE STRIPPER PADS - ADHESIVE BACKED URETHANE



Soft faced stripper pads for thick turret and Ultra style tooling - 0.009(0.25) thick adhesive backed urethane to prevent material scratching and reduce noise levels.

- A Station Soft Face Stripper Pad - Package 6
- B Station Soft Face Stripper Pad - Package 6
- C Station Soft Face Stripper Pad - Package 6
- D Station Soft Face Stripper Pad - Package 4
- E Station Soft Face Stripper Pad - Package 4

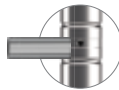
- AOLA00SF 30,38**
- AOLB00SF 30,38**
- AOLC00SF 30,38**
- AOLD00SF 38,81**
- AOLE00SF 38,81**

MORE ACCESSORIES FOR ULTRA AND ULTRAFORM



Roller Die for Ultraform
System Special Applications
(1-1/4" B Station Only)

AOLB00FG 113,40



Pin for Original Style Round Punch
when used with Ultra Guide 1/2" A and
1-1/4" B Station (12 minimum)

MIS60256* 2,03



Urethane Slug Ejectors
3 and 6 mm Diameters
(12 minimum)

3 mm Urethane Slug Ejectors
URE40002* 2,03



Brush Die for Ultraform
System Special Applications
(B thru E Stations)

- B Station **ADLB0001 117,45**
- C Station **ADLC0001 299,03**
- D Station **ADLD0001 368,21**
- E Station **ADLE0001 561,94**



Replacement Brush
Assembly for Brush Dies (3 minimum)
*Not compatible with the new plastic Thick Turret
brush dies.

MIS61188* 4,73

6 mm Urethane Slug Ejectors
URE40010* 2,03



- Thick Turret Brush Die
- A Station **MATE01895 42,86**
 - B Station **MATE01896 44,21**
 - C Station **MATE01897 116,10**
 - D Station **MATE01898 158,96**
 - E Station **MATE01899 431,66**

Lifter "T" Handle



AOLEH 38,81



Clip Tool for Ultra 1-1/4" B Station
Fully Guided Punch Guide
Stripper Clip

MIS59723 6,41

Medium India Oil Stone
ST029807 23,63

6" Cratex Rubber Abrasive Stick
ST029911 34,43

* Items sold separately beyond minimum quantity
** Order AOVWBAC when using Series 90 punches with wire ring and pin or ball.
*** AOVBWGAC, AOVBWHAC & AOVBWGAC adapt canister to allow using Ultra punches but only in Wilson shape guides. Round guides will not work.

[Dimensions in Inches (mm)]

HP (SERIES 90) PUNCH ADAPTERS



C Station HP (Series 90)
Punch Adapter
A0VCWSPA 202,16



D Station HP (Series 90)
Punch Adapter
A0VDWSPA 220,05

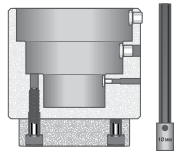


E Station HP (Series 90)
Punch Adapter
A0VEWSPA 247,73

ULTRA 2" C, D AND E STATION TORQUE STAND ASSEMBLY AND ACCESSORIES



Ultra / Thick Turret Torque Stand
Assembly with 3/8" Drive 10mm Hex Key
2" C, 3-1/2" D and 4-1/2" E Stations
MATE00083 1718,55



MIS59483
10mm Hex Key
also available separately

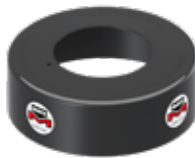


Torque Wrench
for use with Torque Stand
Fixed setting at 75 lbs. ft. (102 N•m)
MIS99030 319,61



Ultra Spacer for
Amada Tightening
Fixture 2" C Station
APLEP 63,79

ULTRA FIELD SERVICE KITS



Replacement Spring Cover
C **MIS99709 19,24**
D **A0VDSTCV* 17,89**
E **A0VDSTCV* 17,89**



Replacement Spring Kit
C **MIS61647P (18 springs) 203,51**
D **MATE00270 (7 springs)* 283,50**
E **MATE00270 (7 springs)* 283,50**



Replacement Guide Body Kit
C **MATE02392 1216,35**
D **MATE00632 1584,56**
E **MATE01808 1807,31**



**Fully Guided Replacement
Guide Body Kit**
C **MATE00634 1317,26**
D **MATE00636 1489,05**
E **MATE01812 1661,85**



**Replacement Locking
Ring Kit**
C **MATE00628 268,31**
D **MATE00629 345,94**
E **MATE00630 391,50**

* Part fits both D and E station assemblies

[Dimensions in Inches (mm)]

WHAT IS MATE'S SUPERMAX COATING?

Mate SuperMax is a proprietary next generation coating applied using the latest nano-layer technology. Specifically formulated for punch press tooling, SuperMax's harder, denser film provides a lubricious coating greatly increasing wear resistance and lowering friction coefficients about 20%. Lower friction means less heat build-up, less galling and longer tool life. SuperMax is particularly good for adhesive wear tooling applications. The lubricity is also beneficial when punching sharp cornered shapes with a 90 degree or smaller angle.

In customer testing, SuperMax outperforms currently available premium coatings by 2 to 8 times, depending on the application. SuperMax can be applied to M4PM, M2, and Durasteel™ punches.



WHAT IS MAXIMA COATING?

Maxima is a multilayer Zirconium Titanium Nitride coating that is hard, wear resistant, and lubricious. It acts as a barrier between the punch and the sheet metal being punched and, because of its exceptional lubricity, greatly improves stripping. Maxima is an extremely hard, wear resistant, slippery material which reduces the friction that occurs during the stripping portion of the punching cycle, it is particularly good for adhesive wear tooling applications. Less friction means less heat build up, less galling and longer tool life. The lubricity is also beneficial when punching sharp cornered shapes with a 90 degree or smaller angle.

In real life applications, Maxima has increased tool life by a factor of 2 to 10 times, keeping tools in production longer with increased up time. Maxima can be applied to M-2, M4PM, and Durasteel.

APPLICATION RECOMMENDATIONS:

COATING OR TREATMENT	3000 & 5000 Series Aluminum	Galvanized Steel	Stainless Steel	Stainless Steel Under 14 gauge	Cold Rolled Steel	Vinyl Coated Materials	Pre-painted Materials Under 16 gauge	Fiberglass
SuperMax™	X	X	X	X	X	X	X	X
Maxima™	X	X	X	X		X	X	

SHAPE	MINIMUM PUNCH SIZE FOR SUPERMAX™ COATING	MINIMUM PUNCH SIZE FOR MAXIMA™ COATING
Round	Minimum diameter = 0.098(2.50)	Minimum diameter = 0.098(2.50)
Rectangle	If length is > 0.250(6.35) The minimum width is 0.060(1.50) If length is < 0.250(6.35) The minimum width is 0.098(2.50)	If length is >0.250(6.35) The minimum width is 0.060(1.50) If length is <0.250(6.35) The minimum width is 0.098(2.50)
Oval	If length is > 0.250(6.35) The minimum width is 0.060(1.50) If length is < 0.250(6.35) The minimum width is 0.098(2.50)	If length is >0.250(6.35) The minimum width is 0.060(1.50) If length is <0.250(6.35) The minimum width is 0.098(2.50)
Square	Minimum width = 0.098(2.50)	Minimum width = 0.098(2.50)
Others	Consult a Mate application specialist	

[Dimensions in Inches (mm)]

MATE DURASTEEL HIGH PERFORMANCE TOOL STEEL

Mate DuraSteel is an air hardening tool steel designed specifically for use in high performance tooling systems.

A combination of the chemical composition of Mate DuraSteel and the closely controlled manufacturing process results in an upgrade to conventional High Chrome D2 tool steel. It offers better wear resistance, greater toughness, better compressive strength, and higher attainable hardness.

Mate DuraSteel is a high quality tool steel which has many advantages when compared to alternative tool steels commonly available. These advantages include:

Superior Wear Resistance – Mate DuraSteel offers superior resistance to adhesive- and abrasive-wear to maximize the interval between regrinds.

- Increased Vanadium carbides – harder wearing than chromium carbides for greater resistance to abrasive-wear
- Increased Tungsten carbides – harder wearing and offer better red hardness; increased resistance to high temperatures which may anneal or damage the material
- Higher hardness – increased alloy content results in higher effective hardness for better wear resistance

Increased Toughness – The chemical composition and heat treatment processes used with Mate DuraSteel make it tougher than conventional tool steels in impact strength tests.

- The inclusion of tungsten and vanadium allows the carbon content to be reduced, which increases the toughness

Better Value – Customer trials have shown that tools manufactured in Mate DuraSteel last 100% longer between regrinds than tools manufactured using conventional tool steels. By increasing the interval between regrinds, the tooling lasts longer and punches many more holes before needing to be replaced.

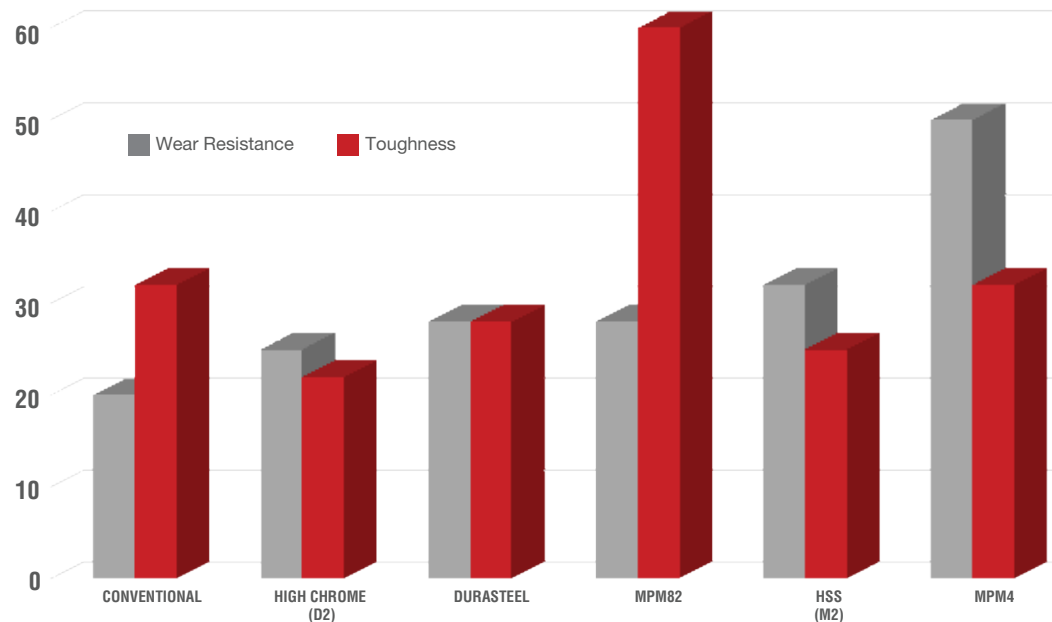
MATE MPM82 HIGH PERFORMANCE TOOL STEEL

MPM82 is a specially formulated, high-speed particle metallurgy tool steel that shares the same chemistry as our DuraSteel products.

With similar wear properties to that of DuraSteel, MPM82 exhibits even higher toughness due to the particle metallurgy process. This combination of wear and toughness resists adhesive and abrasive wear while avoiding edge chipping.

This material is available optionally in Mate's A and B station dies, and standard in Mate's Versadie die inserts.

WEAR RESISTANCE INDEX COMPARISONS*



*Wear Resistance index values were developed by an independent metallurgical expert, evaluating both adhesive and abrasive wear characteristics of tool steels at typical levels of hardening.

Toughness: Charpy C-Notch impact strength test.

Relative Wear Resistance: 10x Cross cylinder adhesive wear test. Based upon steel manufacturers data.

Micrograph shows that the particle metallurgy process produces a very homogeneous, high quality tool steel with superior wear resistance, toughness and dimensional stability.

[Dimensions in Inches (mm)]

MATE TOOLING LASTS LONGER WITH M4PM STEEL

Mate has long offered the most comprehensive range of tooling for all major punch press manufacturers. Mate’s tooling is even better with the superior performance and longevity of Mate’s M4PM tool steel, standard on the following products:

M4PM STEEL

Designed for use in high performance tooling systems, M4PM is a high speed, particle metallurgy steel that combines the chemical composition of M4, particle metallurgy manufacturing and a triple temper heat treatment process.

M4PM offers superior resistance to adhesive and abrasive-wear to maximize the interval between regrinds. The increased alloy content results in higher effective hardness for better wear resistance. A more uniform distribution of smaller carbides results in significantly reduced tool breakage and edge chipping.

LONGER LASTING TOOLING

With the clear advantage of M4PM steel, Mate’s superior accuracy and precision, and you have a winning combination: reliable, consistent, long-lasting tooling. Compared to conventional high speed steel used by other manufacturers, Mate’s tooling with M4PM has at least 50% or greater wear resistance.*

What does long-lasting tooling mean to you?

- Increased machine uptime
- Improved sheet metal products
- Reduced overall tooling costs
- Lower overall production costs

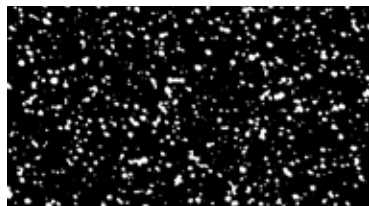
MATE M4PM TOOL STEEL IN STANDARD ON THE FOLLOWING THICK TURRET STYLE PRODUCTS:

- All Thick Turret C, D and E station slitting inserts
- Thick Turret cluster inserts from 2mm-20mm
- QCT™ A & B station inserts

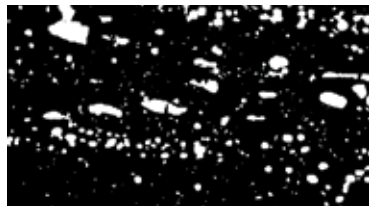
MATE M4PM TOOL STEEL IS OPTIONAL ON THE FOLLOWING THICK TURRET STYLE PRODUCTS:

- Ultra A and B station punches
- MXC A and B station punches

Micrograph shows that the particle metallurgy process produces a very homogeneous, high quality tool steel with superior wear resistance, toughness and dimensional stability.



M4PM



CONVENTIONAL TOOL STEEL

INTERNATIONAL MATERIAL STANDARDS			
	D2	M2	M4PM
JIS	SKD 11	SKH 51	SKH 54
Wnr	1.2379	1.3343	none
DIN	X155 CrVMo 12-1	HS 6-5-2	none

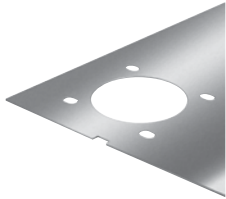
JIS: Japanese Industrial Standard

Wnr: Werkstoffnummer

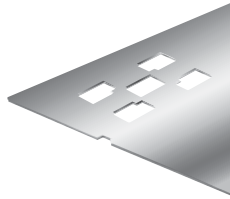
DIN: Deutsches Institut für Normung e.V.

M4PM CHEMICAL COMPOSITION	
Carbon	1.42%
Chromium	4.00%
Vanadium	4.00%
Tungsten	5.50%
Molybdenum	5.25%

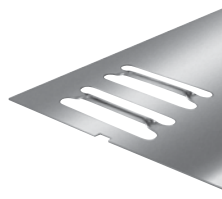
[Dimensions in Inches (mm)]



Cluster – Round



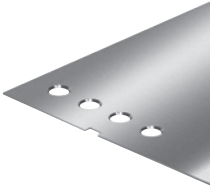
Cluster – Shape



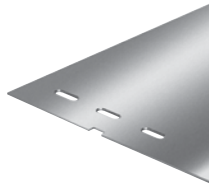
Card Guide



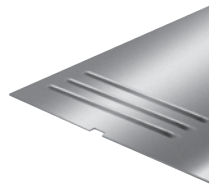
Centerpoint



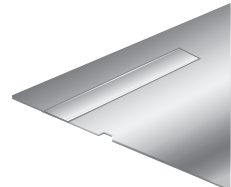
Countersink – Round



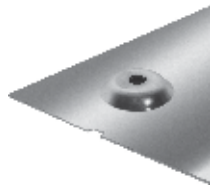
Countersink – Shape



Emboss – Beading



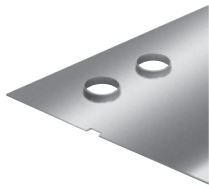
Emboss – Edgeform



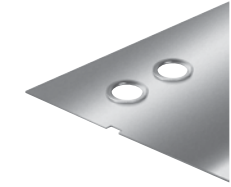
**Emboss – Formed
(Round and Shaped)**



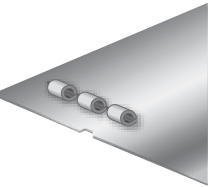
Emboss – Cold Forged



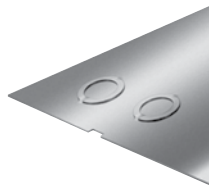
Extrusion – Tapping



Extrusion – Flanged Hole



Hinge Tool



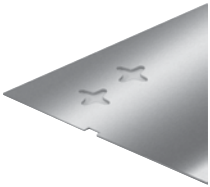
Knockout



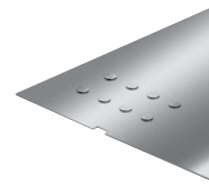
Lance And Form



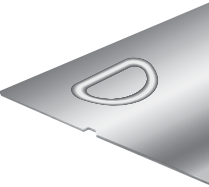
Louver



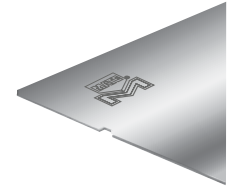
Special Piercing



**Shearbutton
(Round and Shaped)**



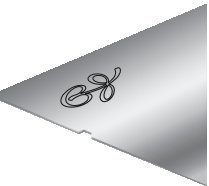
Rollerball™



Sheetmarker™



Stamping – Alpha Numeric



Stamping – V-line



Threadform

[Dimensions in Inches (mm)]



Mate Rollerball™

Use:

The Rollerball™ is an exciting new concept designed by Mate Precision Technologies to take advantage of the extended programming capabilities of hydraulic and other punch presses capable of operating in the x and y axis with the ram down. The Rollerball™ gives you the benefit of making forms not possible with single hit forming tools.

Typical Application:

- Maximum workable material thickness is 0.105(2.70) mild steel.

Comments:

- The press must be capable of holding the ram down while the sheet is moved in the x and/or y.



Mate Sheetmarker™

Use:

For markings or etchings on the surface of sheet metal. The tool uses a diamond pointed insert in a spring loaded holder to create the marking.

Typical Application:

- The Sheetmarker™ Tool can be used on all material types and thicknesses.

Comments:

- A wide variety of results can be produced, ranging from very light etching to fairly deep grooves in the sheet.
- Variations are achieved with a combination of three spring pressures and two insert point angles.

Comments:

- The press must be capable of holding the ram down while the sheet is moved in the x and/or y.



[Dimensions in Inches (mm)]

SPECIAL APPLICATIONS

Mate SnapLock™**Use:**

For joining materials, thus eliminating secondary operations such as spot welding, riveting, or fastening with threaded hardware.

Typical Application:

- Material thickness from 0.020(0.50) up to 0.118(3.00).
- Other limitations include material type, station size, and press tonnage capacity.

Comments:

- Suitable for joining materials of dissimilar type and/or thickness.
- Positive locking and locating feature for fast and accurate assembly.

**Mate HexLock™****Use:**

To provide a reliable and secure method of retaining common threaded fasteners in sheet metal.

Typical Application:

- Material thickness from 0.020(0.50) up to 0.118(3.00).
- Other limitations include material type, station size, and press tonnage capacity.

Comments:

- Suitable for hexagon nuts and hexagon headed bolts that conform to DIN933 or DIN934.

[Dimensions in Inches (mm)]

Mate EasySnap™

Use:

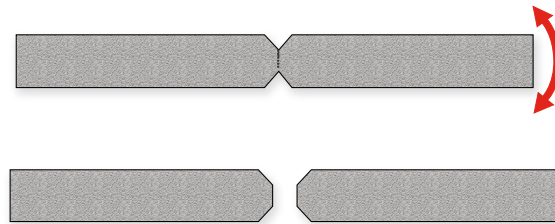
Scrapless retention system to allow fabricator to snap punched parts out of sheet metal.

Typical Application:

- Material thickness from 0.020(0.50) up to 0.078(2.00) for mild steel and aluminium, and 0.020(0.50) up to 0.059(1.50) for stainless steel.
- Maximum length of form is 36.00(914.40) depending on material type and thickness.

Comments:

- Reduces the need for slitting and micro joints for part retention.
- Material type and thickness must be specified at time of order.



Mate EasyBend™

Use:

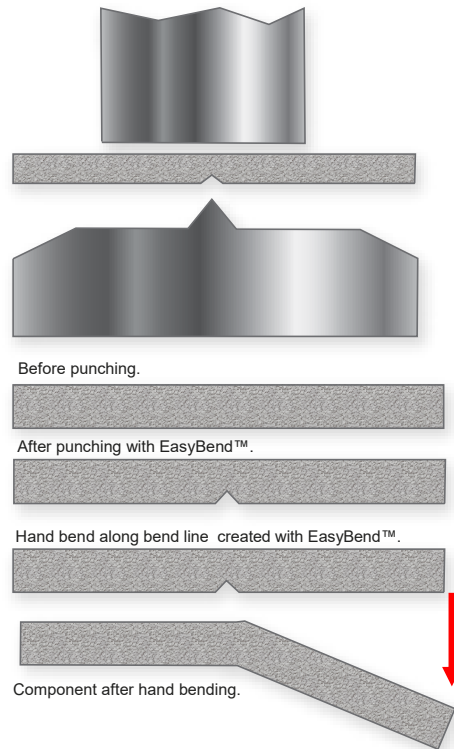
Create bend lines suitable for subsequent hand bending operations. Ideal for intricate fabricated assemblies where conventional press break forming techniques are impractical. Simply bend along the bend line for quick, accurate, and convenient forms.

Typical Application:

- Material thickness from 0.020(0.50) up to 0.078(2.00) for mild steel and aluminium, and 0.020(0.50) up to 0.059(1.50) for stainless steel.
- Maximum length of form is 36.00(914.40) depending on material type and thickness.

Comments:

- Eliminates secondary operations.
- Material type and thickness must be specified at time of order.



[Dimensions in Inches (mm)]

Mate Square ShearButton™

Use:

Square ShearButton reduces the need for slitting and micro-joints for part retention in thicker materials. Simply snap punched components out of thicker sheet metal with a clean, smooth edge.

Typical Application:

- Nesting parts in a large sheet
- Square ShearButton may be used with a variety of material types, including stainless steel, aluminum, cold roll steel and more.
- Very large or heavy parts with minimal micro-joints. The Square Shearbutton tabs are much stronger than the traditional micro-joint, so fewer are needed.
- Rounded part corners where a corner micro-joint is not possible



Comments:

- Available in form up and form down.
- Depths and heights may be adjusted to suit the user's application.

Mate Hybrid ThreadForm™

Use:

In many industries, there's a need to join two pieces of material using a threaded machine screw. If the thread pitch is greater than the material thickness, then a conventional threadform tool is a great solution. Unlike a conventional threadform tool, the Hybrid Threadform tool thins the material in the center of the form, and creates the threadform helix in just one operation.

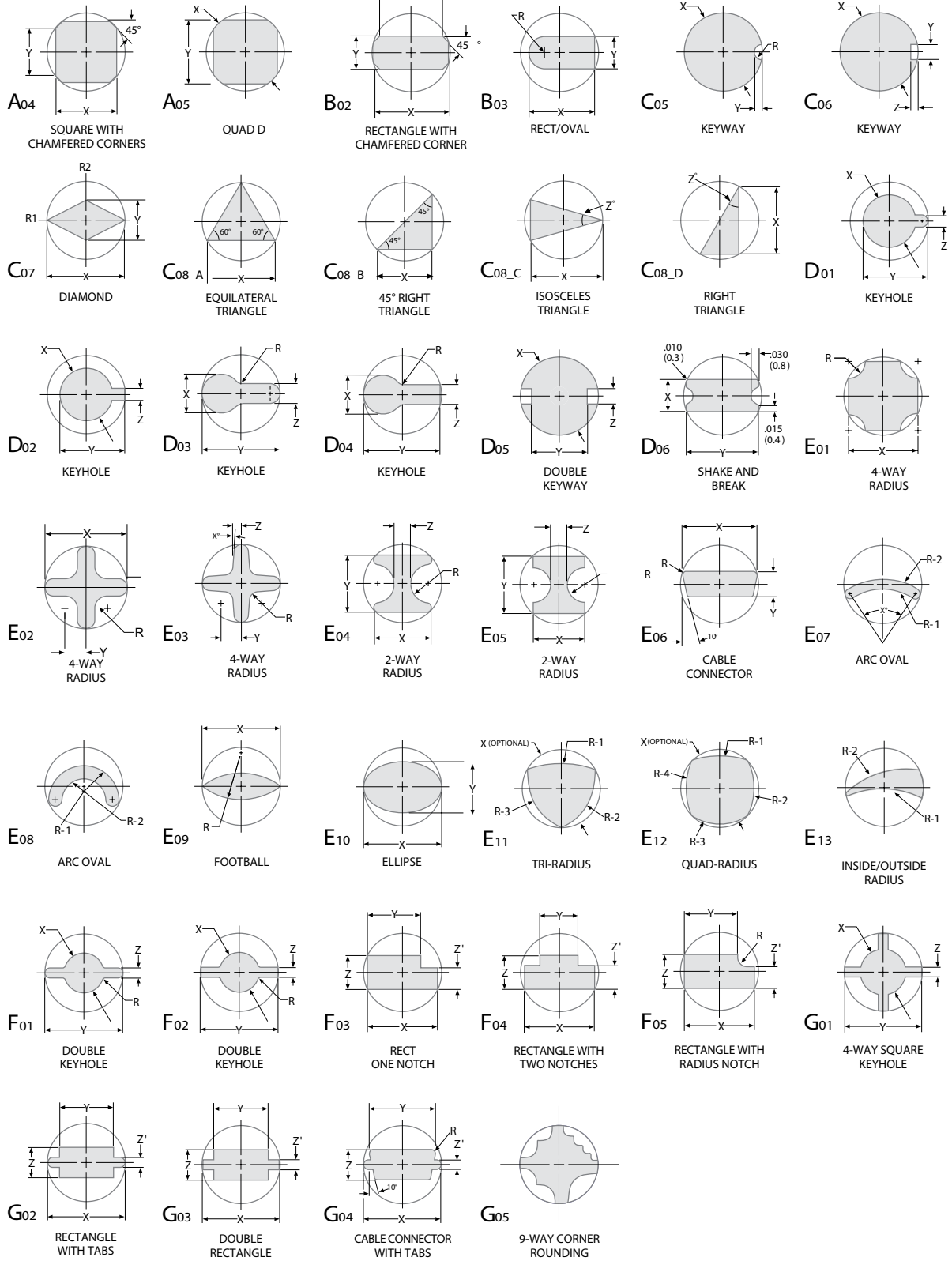
Typical Application:

- Eliminates secondary operations
- Eliminates tapping operations
- Reduces debris in the machine caused by tapping
- Reduces component cost by eliminating any special fasteners



[Dimensions in Inches (mm)]

SPECIAL SHAPES (NUMBERING INDICATES SHAPE CODE):



STANDARD SHAPES (NUMBERING INDICATES SHAPE CODE):

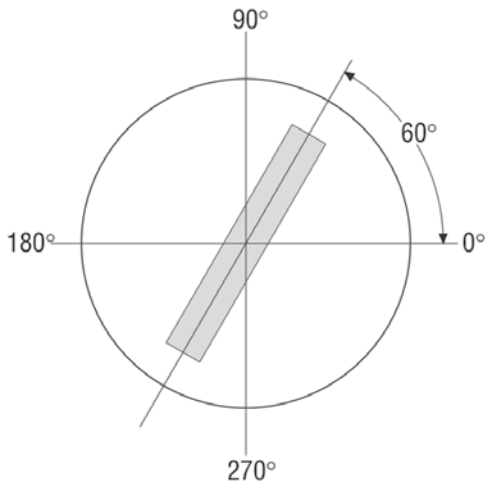


[Dimensions in Inches (mm)]

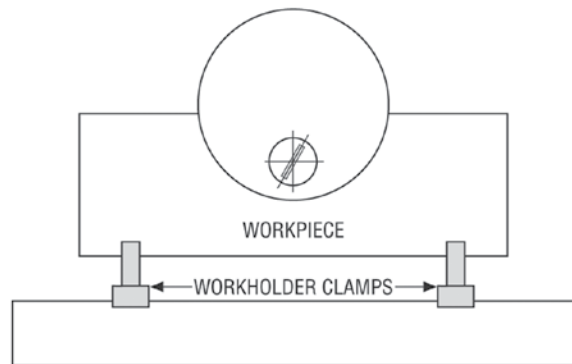
REFERENCE

	1/2" A STATION 1 1/4" B STATION	2" C STATION	3 1/2" D STATION	4 1/2" E & F STATION
PUNCHES				
DIES				

**TOP DIE VIEW
CARTESIAN COORDINATE SYSTEM**



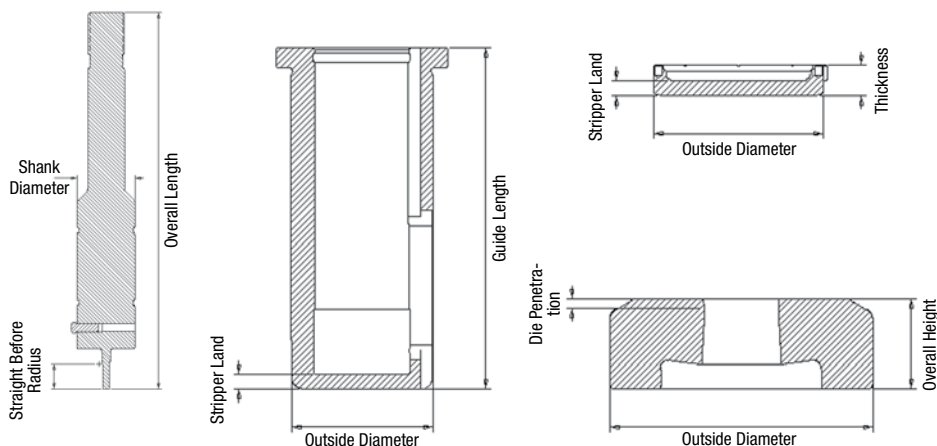
TOP DIE OF TURRET



[Dimensions in Inches (mm)]



Station	1/2" A	1-1/4" B	2" C	3-1/2" D	4-1/2" E	6" F
Maximum Punch Diagonal	0.500(12.70)	1.250(31.75)	2.000(50.80)	3.500(88.90)	4.500(114.30)	6.000(152.40)
Ultra Punch						
Part Number	PAUA	PAUB	PAAC	PAAD	PAAE	PAAF
Overall Length	4.245(107.82)	3.957(100.51)	3.786(96.16)	3.313(84.15)	3.353(85.17)	3.745(95.12)
Shank Diameter	0.630(15.99)	1.250(31.75)	2.007(50.98)	3.520(89.41)	4.520(114.81)	6.043(153.49)
Straight Before Radius*	0.740(18.80)	0.740(18.80)	1.005(25.53)	1.005(25.53)	1.043(26.49)	1.045(26.54)
Ultra Stripper						
Part Number	S6KA	S6KB	S6KC	S6KD	S6KE	
Outside Diameter	0.751(19.07)	1.500(38.10)	2.249(57.12)	3.825(97.16)	4.759(120.88)	
Thickness	0.272(6.91)	0.272(6.91)	0.394(10.01)	0.394(10.01)	0.394(10.01)	
Stripper Land	0.157(3.99)	0.157(3.99)	0.315(8.00)	0.315(8.00)	0.315(8.00)	
Metric (Original) Style Punch						
Part Number	PAAA	PAAB	PAAC	PAAD	PAAE	PAAF
Overall Length	8.169(207.49)	8.169(207.49)	3.786(96.16)	3.313(84.15)	3.353(85.17)	3.745(95.12)
Shank Diameter	0.630(16.00)	1.250(31.75)	2.007(50.98)	3.520(89.41)	4.520(114.81)	6.043(153.49)
Straight Before Radius*	0.664(16.87)	0.740(18.80)	1.005(25.53)	1.005(25.53)	1.043(26.49)	1.045(26.54)
Original Style Stripper						
Part Number	S6AA	S6AB	S6AC	S6AD	S6AE	S6AF
Guide/Stripper Outside Diameter	1.020(25.91)	1.883(47.83)	2.007(50.98)	3.520(89.41)	4.520(114.81)	6.450(163.83)
Guide Length/Stripper Thickness	4.448(112.98)	4.528(115.01)	0.394(10.01)	0.394(10.01)	0.394(10.01)	.394(10.01)
Stripper Land	0.197(5.00)	0.197(5.00)	0.394(10.01)	0.394(10.01)	0.394(10.01)	.394(10.01)
Slug Free Die						
Part Number	DOAA	DOAB	DOAC	DOAD	DOAE	DOAF
Outside Diameter	1.000(25.40)	1.875(47.63)	3.500(88.90)	4.938(125.43)	6.249(158.72)	8.265(209.93)
Overall Height	1.187(30.15)	1.187(30.15)	1.187(30.15)	1.187(30.15)	1.187(30.15)	1.383(35.13)
Die Penetration	0.118(3.00)	0.118(3.00)	0.118(3.00)	0.118(3.00)	0.118(3.00)	.118(3.00)



*** The Straight Before Radius (SBR) dimension may be reduced for small diameters and narrow widths. Consult your application specialists.**

[Dimensions in Inches (mm)]

PUNCH MAINTENANCE

You can greatly extend overall punch life by sharpening whenever the edge dulls to a 0.005(0.13) radius. At this point, just a small amount of sharpening will “touch up” the cutting edge. Frequent touch up works better than waiting for the punch to become very dull. The tool lasts longer and cuts cleaner with less punching force.

Maximum amount of sharpening depends on thickness of material being punched, size of punch (length and width), and punch press station.

1. To sharpen, clamp the punch squarely in a Vee Block on the magnetic chuck of a surface grinder. Only 0.001 to 0.002 (0.03 to 0.05) should be removed in one “pass”. Repeat until tool is sharp, normally 0.005-0.010(0.13-0.25) total.
2. Use a standard vitrified bond, aluminum oxide wheel: hardness range “D” to “J”; grain size 46 to 60. A “ROSE” wheel made especially for grinding high speed steel is a good choice but not mandatory.
3. Dress the wheel using a rigid single or multi-point diamond: downfeed 0.0002-0.0008 (0.005-0.020); crossfeed quickly 20-30 in/min (508-762 mm/min).
4. Apply coolant with as much force and as close to the tool and wheel as is practical. Use a good general purpose grinding coolant used to the manufacturer’s specifications.
5. Feeds and feed rates: A, Downfeed (wheelhead), 0.001 - 0.003 (0.03-0.08); B, Crossfeed (infeed), 0.005-0.010 (0.13-0.25); for nitrided punches, 0.002-0.007(0.05-0.18); C, Traverse (sideways), 100-150 in/min (2,540-3,810 mm/min).
6. After the sharpening, lightly stone the sharp cutting edges to remove any grinding burrs and to leave a 0.001-0.002 (0.03-0.05) radius. This reduces risk of chipping.
7. Demagnetize the punch and spray on a light oil to prevent corrosion.

DIE MAINTENANCE

As with punches, keep dies clean and watch for wear. Use the same sharpening procedures — hold die on surface grinder’s magnetic chuck; use same wheel and feed rates. Check die thickness after each sharpening and add shims as necessary.

CONSIDERATIONS IN GRINDING

A grinding wheel’s abrasive particles, in effect, are break-away “teeth”. These teeth can be made from a variety of very hard, abrasion resistant materials, such as diamond, borazon and, most commonly, aluminum oxide.

The abrasive particles are embedded in a softer matrix material and meant to fracture loose from the matrix as cutting pressure becomes greater. Cutting pressure can increase from raising the feed rate or from dulling of abrasive particles. Pressure causes surface particles to fracture or break free from the wheel matrix and expose new sharp edges, resulting in the wheel’s sharpness.

For our purposes, in selecting a vitrified bond aluminum oxide wheel, we need only be concerned with two variables: hardness and coarseness of the wheel. Hardness refers to the bond strength of the matrix. Coarseness refers to the size and concentration of the abrasive particles (grit).

Generally speaking, harder materials require softer wheels — softer materials require harder wheels. Grinding a harder and/or more abrasive resistant material, such as hardened tool steel, dulls abrasive particles quickly. The wheel then needs increased feed forces. A softer wheel allows spent particles to break loose from the matrix more easily. The newly exposed sharp edges will cut rather than rub and tear at the workpiece. Less pressure is required and the wheel runs cooler.

Coarse wheels with large, widely spaced abrasive particles perform less cutting per revolution and allow greater “chip” clearance. The wheel stays cleaner. Friction is reduced.

Balancing hardness and coarseness results in a wheel that stays sharp and clean to optimize cutting action. It meets the grinding objective of removing material from the workpiece while expending a minimal amount of wheel energy. Wheel energy losses largely translate to workpiece heating. Workpiece heating, in turn, will result in softened and/or highly stressed tools which will not perform well. Hardened tool steels are particularly vulnerable.

It is generally desirable to use a softer “G” or “H” hardness wheel with a grit concentration/size of about forty-six.

A-2 and S-7 STEEL

Grinding Wheel Hardness: **G-J**
Grit: **46-60**

M-2 and M4PM STEEL

Grinding Wheel Hardness: **D-G**
Grit: **46-60**

[Dimensions in Inches (mm)]

GENERAL

Radius Corners	No Charge	
Non-Standard Straight Before Radius (SBR) Dimension	add 25%	to punch
Special Angle Settings	add 25%	to punch, stripper, and die
Optional Shear (Limited Options)	No Charge	

SMALL DIAMETER ROUND TOOLS

Diameter 0.031(0.79) to 0.061(1.55)	add 25%	to punch, stripper, and die
Diameter 0.062(1.56) to 0.092(2.34)	add 10%	to punch, stripper, and die

NARROW WIDTH SHAPED TOOLS

Widths under 0.079(2.00)	add 25%	to punch, stripper, and die
--------------------------	---------	-----------------------------

STATION JUMPER

1-1/4" B Station - if diagonal dimension is <0.500(12.70)	No Charge	
2" C Station - if diagonal dimension is <1.250(31.70)	add 25%	to punch
3-1/2" D Station - if diagonal dimension is <2.000(50.80)	add 25%	to punch
4-1/2" E Station - if diagonal dimension is <3.500(88.90)	add 25%	to punch
6" F Station - if diagonal dimension is <4.500(114.30)	add 25%	to punch

SUPERMAX™ COATING

1/2" A Station	add 35,10€	to punch
1-1/4" B Station	add 67,50€	to punch
2" C Station	add 89,10€	to punch
3-1/2" D Station	add 112,05€	to punch
4-1/2" E Station	add 133,65€	to punch
6" F Station	add 153,90€	to punch
Slitting Punch Insert	add 44,55€	to punch

MAXIMA™ COATING / NITRIDE TREATMENT

1/2" A Station	add 22,95€	to punch
1-1/4" B Station	add 44,55€	to punch
2" C Station	add 59,40€	to punch
3-1/2" D Station	add 74,25€	to punch
4-1/2" E Station	add 89,10€	to punch
6" F Station	add 102,60€	to punch
Slitting Punch Insert	add 44,55€	to punch

SLUG FREE LIGHT™ DIE GEOMETRY

1/2" A Station	add 16,20€	round die	+	2,70€	shaped die
1-1/4" B Station	add 18,90€	round die	+	5,40€	shaped die
2" C Station	add 22,95€	round die	+	10,80€	shaped die
3-1/2" D Station	add 24,30€	round die	+	2,70€	shaped die
4-1/2" E Station	add 41,85€	round die	+	1,35€	shaped die

M4PM™ TOOL STEEL

Ultra — 1/2" A Station	add 20%	to punch
Ultra — 1-1/4" B Station	add 20%	to punch
MXC™ — 1/2" A Station	add 20%	to punch
MXC™ — 1-1/4" B Station	add 20%	to punch

[Dimensions in Inches (mm)]



THICK TURRET COMPATIBILITY CHART

REFERENCE

Tool Style	Mate Part Number	Ultra	Ultra XT	Ultra ABS	Mate OS	Ultra ABS 14mm Bot Guide Assembly	PaperSet	Ultra MT, UMT and MT 3 or 6 Station	HP 3, HP2	HP VHS & HP2 VHS	HP ABS 3, HP2 ABS	Wilson Tech Style	Amada Standard	Amada ABS	Amada 2-Standard	Amada 7-ABS	Amada NEJ Standard	Amada NEJ ABS	Amada BT	Amada Alpha	Wilson HP-ABS 3 Station MT 33007	Wilson MTBR 45292	Wilson MT3H 45293	Wilson MT3B	Wilson MTB 45276	Wilson Vissirito MTB 33022	Wilson MTYBR & MTYBR1		
1/2" A Station																													
Punch	Ultra OCT	MATE02404*	•	•				•																					
	Metric OCT Keyed Rounds/Shapes	MATE02519*	•	•	•		•																						
	Metric OCT Keyless Rounds	MATE02520*	•	•	•		•																						
	MXC OCT Keyed Rounds/Shapes	MATE02546*							•											•								•	
	MXC OCT Keyless Rounds	MATE02545*							•											•								•	
	MXC OCT ABS Keyed Rounds/Shapes	MATE02544*								•	•									•								•	
	MXC OCT ABS Keyless Rounds	MATE02543*								•	•									•								•	
	AMX OCT Keyed Rounds/Shapes	MATE02551*	•	•14	•	•		•						•		•		•											
	AMX OCT Keyless Rounds	MATE02553*	•	•14	•	•		•						•		•		•											
	Ultra Punch	PAUA	•	•					•																				
	Metric (Original) Punch	PAAA	•6	•6		•		•						•				•											
	Ultra ABS Punch	PAYA			•				•																				
	Inch Style	PAJA											•																
	AMX	PMXA	•	•14	•	•		•						•		•		•											
MXC Std	PXCA								•											•								•	
MXC ABS	PLCA									•	•									•								•	
Stripper	Ultra	S6KA	•	•				•																					
	Original Style (Stripper Guide)	S6AA				•		•					•					•											
	Ultra ABS	S6VA			•			•																					
	AMX (Stripper Guide)	SMXA						•					•4	•	•4	•	•4	•											
	MXC	SXCA							•	•	•									•								•	
Die	Slug Free Die	DOAA	•	•	•	•		•	•	•	•	•	•	•	•	•	•	•	•	•	•	•	•	•	•	•	•	•	
	Standard Die	DOKA	•	•	•	•		•	•	•	•	•	•	•	•	•	•	•	•	•	•	•	•	•	•	•	•	•	
Clip	For Metric (Original) Round Punch	AOVAASAC	•5	•5	•5																								
1-1/4" B Station																													
Punch	Ultra OCT	MATE02401*	•	•				•	•1																				
	Metric OCT Keyed Rounds/Shapes	MATE02521*	•	•	•		•																						
	Metric OCT Keyless Rounds	MATE02522*	•	•	•		•																						
	MXC OCT Keyed Rounds/Shapes	MATE02525*	•13	•13	•13			•13	•											•								•	
	MXC OCT Keyless Rounds	MATE02524*	•13	•13	•13			•13	•											•								•	
	MXC OCT ABS Keyed Rounds/Shapes	MATE02526*	•13		•13					•	•									•		•		•				•	
	MXC OCT ABS Keyless Rounds	MATE02528*	•13		•13					•	•									•		•		•				•	
	AMX OCT Keyed Rounds/Shapes	MATE02552*	•	•14	•	•		•									•		•										
	AMX OCT Keyless Rounds	MATE02553*	•	•14	•	•		•									•		•										
	Ultra Punch	PAUB	•	•					•	•1																			
	Metric (Original) Punch	PAAB	•6	•6		•		•					•						•										
	Ultra ABS Punch	PAYB			•				•	•1																			
	Inch Style	PAJB	•9	•9									•																
	AMX	PMXB	•	•14	•	•		•										•											
MXC	PXCB	•13	•13	•13				•18	•										•								•		
MXC ABS	PLCB	•13		•13				•18											•								•		
Stripper	Ultra	S6KB	•	•				•	•	•	•																		
	Original Style (Stripper Guide)	S6AB				•		•					•					•											
	Ultra ABS	S6VB			•			•		•	•																		
	AMX (Stripper Guide)	SMXB						•					•4	•	•4	•	•4	•											
	MXC	SXCB	•17	•17				•16	•	•	•									•								•	
Die	Slug Free Die	DOAB	•	•	•	•		•	•	•	•	•	•	•	•	•	•	•	•	•	•	•	•	•	•	•	•	•	
	NON-Slug Free Die	DOKB	•	•	•	•		•	•	•	•	•	•	•	•	•	•	•	•	•	•	•	•	•	•	•	•	•	
Clip	For Metric (Original) Round Punch	AOVBASAC	•5	•5	•5																								
	HP Round Punch Retaining Ring	AOVBWBAC	•10	•10	•10																								
	HP Round Punch Wire Hook	AOVBWSAC	•10	•10	•10																								
	For Wilson HP Canister	AOVBWGAC								•11	•11	•11																	
	For Wilson HP2 Canister	AOVBWKAC								•12	•12	•12																	
For Wilson HP Double D Canister	AOVBWHAC								•11	•11	•11																		



THICK TURRET COMPATIBILITY CHART

Tool Style	Mate Part Number	Ultra	Ultra XT	Ultra ABS	Mate OS	Ultra ABS 14mm Bolt Guide Assembly	Ultra MT, UMT and UMT 3 or 8 Station	HP & HP2	HP M12 & HP2 M12	HP ABS & HP2 ABS	Wilson Inch Style	Amada Standard	Amada ABS	Amada 2-Standard	Amada 2-ABS	Amada MEX Standard	Amada MEX/ABS	Amada GTT	Amada Alpha	Wilson HP ABS 3 Station 35307	Wilson MTR 45242	Wilson MTR 45293	Wilson Multi Tool MTR8	Wilson Multi Tool MTR 45276	Wilson Assinibo MTR 38022	
2" C, 3-1/2" D, and 4-1/2" E Stations																										
Punch	Original Style (M12 bolt)	PAA	•	•	•	•	•8					•		•2					•2							
	Inch Style (1/2-13 bolt)	PAJ			•						•															
	AMX (M14 Threads)	PMX					•										•			•7						
	AMX Slitting Retainer D Station	MATE001988					•						•							•7						
	AMX Slitting Retainer E Station	MATE001990					•						•							•7						
	MXC	PXC	•15	•15	•15				•	•																
Stripper	Ultra	S6K	•																							
	Original Style (Stripper Guide)	S6A		•		•							•	•3						•3						
	Ultra ABS	S6Y			•																					
	AMX (Stripper Guide)	SMX											•		•					•						
	MXC	SXC		•		•			•	•	•									•	•					
Die	Slug Free Die	D0A	•	•	•	•	•		•	•	•	•	•	•	•	•	•	•	•	•	•					
	Standard Die	D0K	•	•	•	•	•		•	•	•	•	•	•	•	•	•	•	•	•	•					
Ultra M14 Bolt Conversion Package	C Station	MATE00651	•	•	•																					
	D Station	MATE00652	•	•	•																					
	E Station	MATE00653	•	•	•																					
MTG Multi Tool																										
Punch	3 Station	PMSQ																							•	
	Long 8 Station	PNSR																								•
Stripper	3 Station	SMSQ																		•		•	•			
	Long 8 Station	SNSR																			•		•	•		•
Die	3 Station Slug Free	DESQ																		•		•	•			
	3 Station Non-Slug Free	DFSQ																		•		•	•			
	Long 8 Station Slug Free	DGSR																			•			•	•	
	Long 8 Station Non-Slug Free	DJSR																			•			•	•	

- Ultra round or shape punches only work in shape guides using clip A0VBWHAC for HP canisters and clip A0VBWKAC for HP2 canisters
- Requires the optional M12 bolt to be installed into the guide assembly
- Requires use of optional Original style strippers
- Pin must be removed from stripper guide
- Clip attaches to competitive round punches without pin or key
- Requires use of Ultra Metric canister
- Requires the M14 bolt option
- Must switch to the M12 bolt and centering washer
- Requires Inch Style Canister
- Clip attaches to Wilson HP punch after removing original hardware
- Clip attaches to Wilson HP canister
- Clip attaches to Wilson HP2 canister
- Requires removing anti-rotation hardware on rounds and shapes, then for rounds, install A0VBWBAC (IMT manufactured after 07/2014 and UMT — Rounds & Shapes work with ring attached)
- Rounds only
- Requires using punch adapter A0VCWSPA (C station), A0VDWSPA (D station), A0VEWSPA (E station)
- 3 station only
- Compatible if guide has horizontal groove on lower lead-in diameter
- MXC and MXC ABS punches work as is except for no Ultra Multi Tool, IMT assemblies made before 07/2014 and UMT assemblies made before 06/2018 (For the older models of IMT and UMT, only standard MXC shape punches can be used and only if anti-rotation hardware is removed)

* QCT™ (Quick Change Tooling) punch drivers require compatible punch inserts for operation. See mate.com for more details

** Wilson Adjustable Length HP ABS punches 3 station 35307 for Stripit

[Dimensions in Inches (mm)]





MATE PRECISION TECHNOLOGIES GLOBAL COVERAGE

WORLDWIDE HEADQUARTERS:

1295 Lund Boulevard, Anoka, Minnesota 55303 USA
Tel +1.763.421.0230 mate.com

orders@mate.com